

- > Commercial Tablet
- > Boxed Media Player
- > OpenFrame & All-in-One 1080P Player

- Point-of-Sale
- Industrial
- Commercial

## 15.6" Commercial Tablet Android

Quad-Core Processor With Full HD 1920x1080 pixels 15.6"LCD panel



### Slope Shape Tablet Made For Retail Demonstration

The 15.6" Android Commercial Tablet(Droid1562S) is a smart-designed retail tablet for interactive retail demonstration. It features high resolution full HD LCD panel 1920x1080 pixels to display your Ads message in a compelling way, the Quad-core processor is powerful to support the video-rich content with strong GPU. It comes with natural slope shape, the best form factor for retail product demonstration with smart cable management to keep all outside neat.

- > Natural slope shape, ideal for product demo;
- > Optimized Android Commercial-Friendly: hidden status bar, Restrict Access To Only Selected Apps, etc;
- > Proven High-reliability 7/24/365 By Top Brands
- > Optional with industrial grade screen for brightness up to 500 nits

### Commercial-Friendly

Allow users to access allowed APK or Website only;  
 Supports Full-Screen Browsing With Hidden Status Bar;  
 Password protection for exiting the Full-Screen;  
 Auto USB Copy & Auto Power On/Off;  
 Supports Various External POS Peripherals;

### Hardware

Processor : ARM Cortex-A17 Quadcore 1.8GHz, Mali-T674 GPU;  
 RAM : DDR3, 2GB;  
 ROM : 8GB(upgradeable to 16GB);  
 WiFi: 802.11 b/g/n

### O/S

Android 5.1 / 6.0 /7.1

### Interface

Card Slot: SD Card;  
 USB: USB 2.0 Host x3 , USB 2.0 OTG x1;  
 Power Jack: 12V /2A DC in  
 RJ45: 1, Wired Ethernet 10/100

### LCD Panel Information

Screen size : 15.6" (Diagonal)  
 Active area : 344.2(H) x 193.5(V) mm  
 Max. Resolution : 1920 (H) x 1080 (V)  
 Brightness : 300 cd/m2  
 Contrast ratio : 1000 : 1  
 Viewing angle : 85/85/85/85(L/R/U/D)  
 Aspect Ratio: 16:9

### Media Support

**Video** (Full HD 1920 x 1080)  
 AVI,H.263,H.264,VC-1,MPEG-2,MPEG-4,DIVD/DIVX,Real8/9/10, RM,RMVB,PMP,FLV,MP4,M4V,VOB,WMV, 3GP,MKV,ASF,3G2M4V,MJPEG,RV10  
**Image** JPG, BMP, PNG, GIF  
**Audio**  
 MP1,MP2,MP3,WMA,OGG,AAC,M4A,FLAC,APE,AMR,RA,WAV

### Touchscreen

Capacitive Multi-touch With G+G Structure For Industrial Use ;

### Working Conditions

Operating Temperature:0°C to 50°C  
 Relative Humidity : 5% – 95% (Non-Condensing)

### Options

Interactivity: Barcode Reader, RFID Reader, Thermal Printer, Push Buttons  
 Power: POE

### Shipping Info

W x D x H (unit) : 420x270x80.8mm  
 Gift Box:380x315x100mm  
 Carton: 507x465x355mm Qty / Carton: 3pcs G.W. :12.6kgs

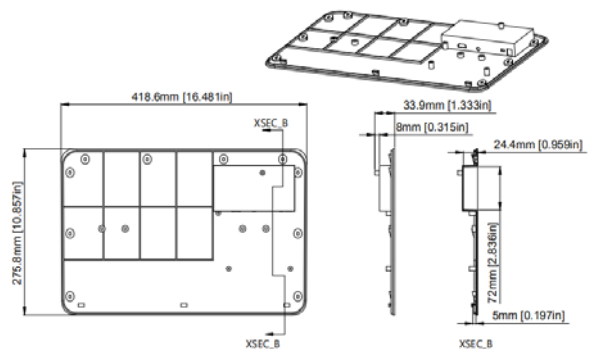
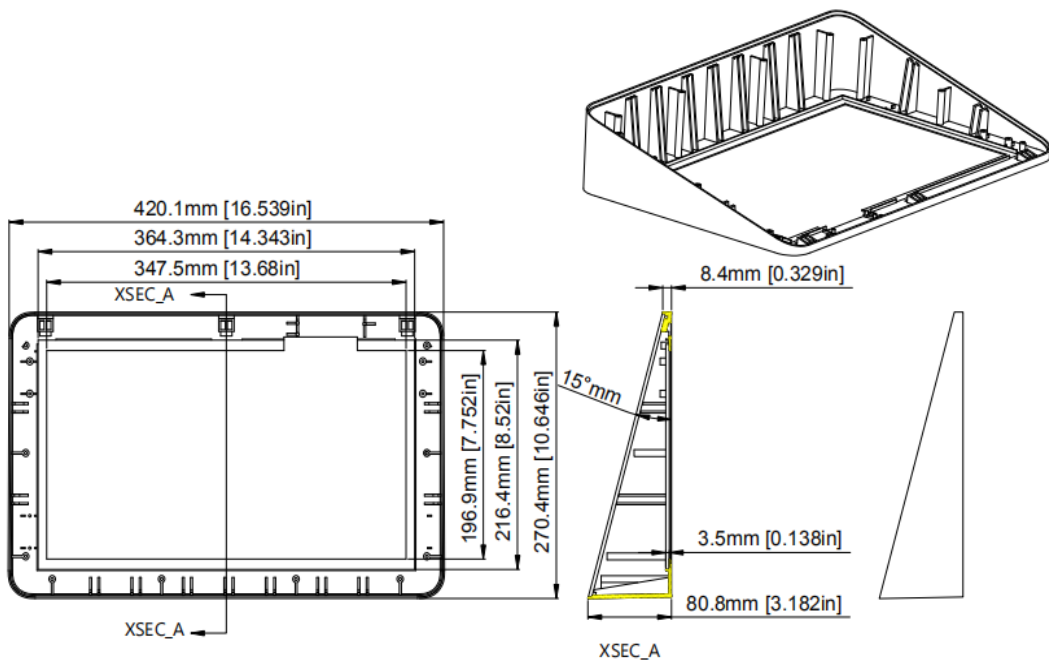
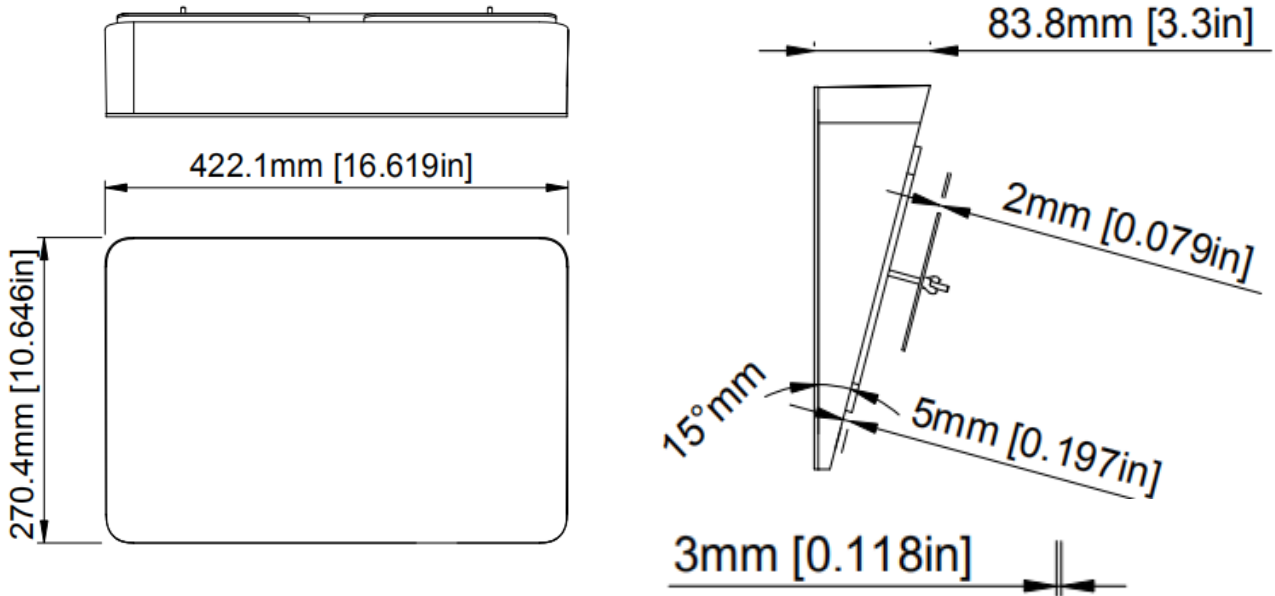
- > Commercial Tablet
- > Boxed Media Player
- > OpenFrame & All-in-One 1080P Player

• Point-of-Sale • Industrial • Commercial

## 15.6" Commercial Tablet Android

Quad-Core Processor With Full HD 1920x1080 pixels 15.6"LCD panel

### Mechanical Drawings



### Ordering Options:

**Tablet Console:** 15.6 inch Android Kiosk Capacitive

**AC Adatper:** 12V /2A

**POE:** Optional

\*\*\* This model is also available as touchscreen monitor, video player, touchscreen player with content author.