

## 18.5-inch POP Display Fully Housed With GPIO Buttons

18.5 inch 1366x768 HD Display, Optional With GPIO Controlled Push Buttons



### Highlighted Features

Best Retail Signage Solution 18.5 inch POP Display  
> **Features like no other: [Seamless Playback & USB auto-copy to Memory Supported](#)**

>18.5 inch 1366x768 HD Panel with LED backlight  
your ads message on the best screen conveyed  
like what you expected;

> Consumer-friendly appearance, robust inside,  
built-in GPIO controls, card slot protector, anti-  
theft system, high quality stereo audio output,  
vesa mounting;

MP1850 is never like a consumer photoframe, but is a POP video screen completely designed for commercial use where **running 7/24/365** is crucial. With integrated hardware and software for commercial and retail use, We have developed it into a versatile platform to address various applications in the field: Interactive buttons via GPIO connectors, VESA mounting, SD card protection & anti-theft system, high-volume stereo audio output, All made it the best advertising solution for the most demanded commercial, industrial and retail environment.

### Tech Spec

- ▶LCD Panel Spec:Digital TFT-LCD With LED Backlight
- ▶Panel Size: 18.5-inch ;
- ▶Resolution (pixels): 1366x768 ;
- ▶Aspect Ratio (W:L): 16:9 ;
- ▶Brightness: 250 CD/m<sup>2</sup> ;
- ▶Contrast Ratio: 400:1 ;
- ▶Viewing Angle: U70/D70/L80/R80 ;
- ▶Built-in Flash Memory: Optional 4G/8G ;
- ▶Memory Card Supported: SD Card ;
- ▶Media File Formats Supported: JPG /BMP /PNG; MP3,WAV; Avi (.xvid), MP4, mov (MPEG1/2/4 1080P);
- ▶Seamless Video Playback: 720P Videos;
- ▶Interface: DC-in, On-Off Switch; SD Card Slot, USB Host, Volume Knob;
- ▶Built-in Speakers :2W \* 2 Stereo Speakers;
- ▶On-Board Volume Control: Built-in Volume Knob;
- ▶OSD & Remote Control: Yes, Optional;
- ▶OSD Lanaguage: English;
- ▶AC Power Adapter: AC in 100-240V; DC Out 12V 2.5A;
- ▶Unit Size: 462\*282.5\*35.3mm;
- ▶Body Materials: Frontal tempered glass(optional), back & middle frame ABS+PC;
- ▶GPIO Controls (Optional ): Up to 4, Molex Connector, Cable length 60mm as default ;
- ▶Motion Sensor: Optional, external connected; or Built-into frontal frame;
- ▶Frontal Capacitive Touch Buttons(optional): Up to 8 touch spots, with silk printing & LED light;

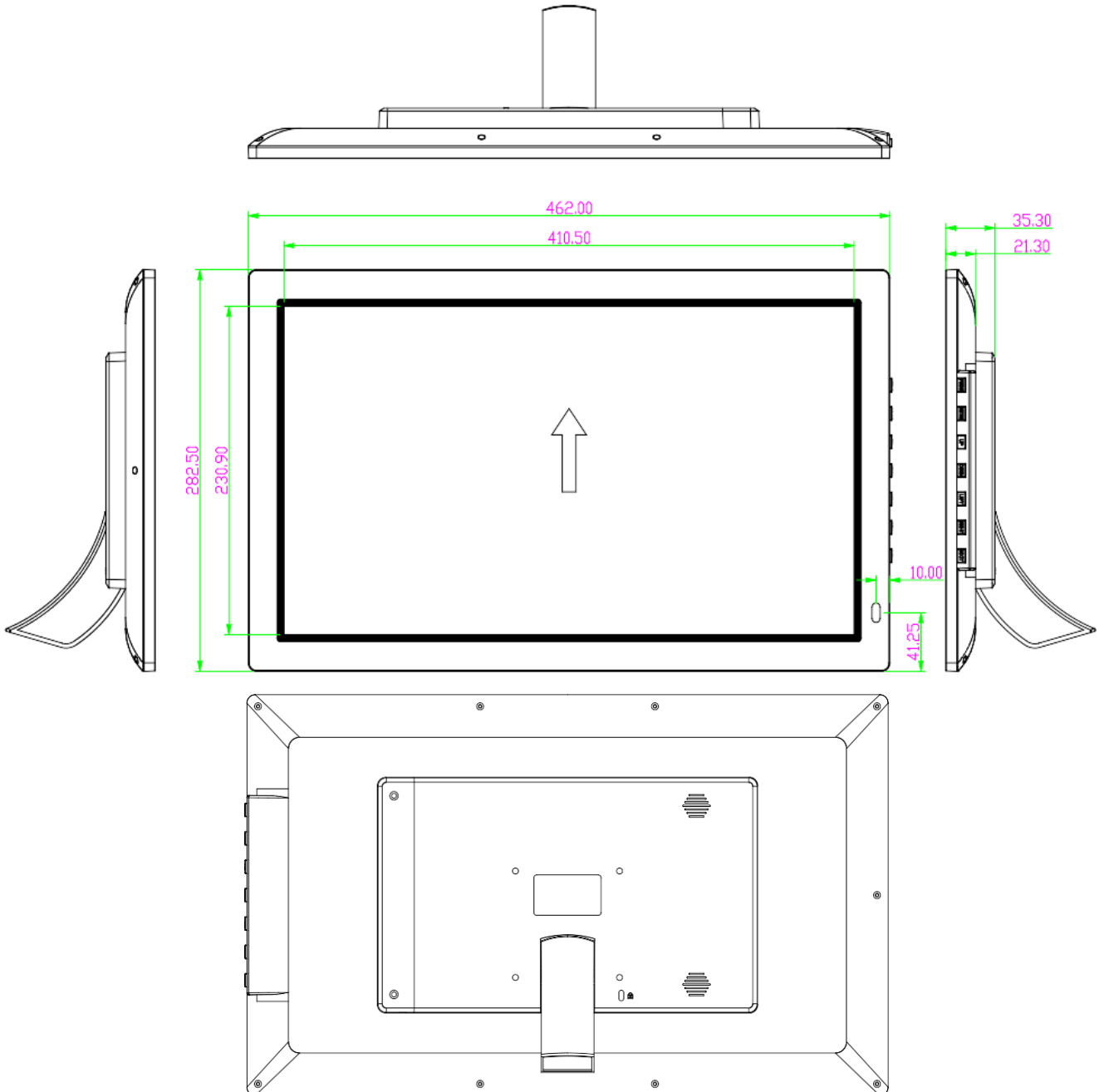
- > Commercial Tablet
- > Boxed Media Player
- > OpenFrame & All-in-One 1080P Player

• Point-of-Sale • Industrial • Commercial

## 18.5-inch POP Display Fully Housed With GPIO Buttons

18.5 inch 1366x768 HD Display, Optional With GPIO Controlled Push Buttons

### Gallery & Mechanical Drawings



### Ordering Options:

**Player Console:** 18.5-inch Video Screen

**AC Adatper:** 12V /2.5A

Optical Sensor Buttons: Optional;

VESA Wall Mounts:Optional;

GPIO controls Protector:Optional;

SD Card Protector: Included