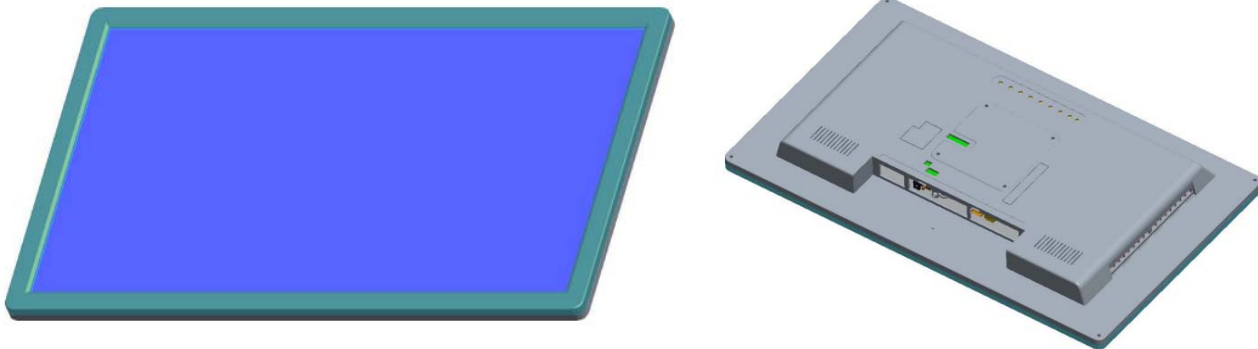


## 23.8-inch POP Display Fully Housed With GPIO Buttons

23.8 inch 1920x1080 HD Display, Optional With Capacitive Sensor Button & GPIO Push Buttons



### Highlighted Features

Best Retail Signage Solution 23.8 inch POP Display  
> **Features like no other: Seamless Playback & USB auto-copy to Memory Supported**  
> 23.8 inch 1920x1080 HD Panel Full Viewing Angle with LED backlight, your ads message on the best screen conveyed like what you expected;  
> Commercial Design, robust inside, built-in GPIO controls, card slot protector, anti-theft system, high quality stereo audio output, vesa mounting;

MP2400 is never like a consumer photoframe, but is a POP video screen completely designed for commercial use where **running 7/24/365** is crucial. With integrated hardware and software for commercial and retail use, We have developed it into a versatile platform to address various applications in the field: Interactive buttons either via GPIO connector or frontal capacitive touch, VESA mounting, SD card protection & anti-theft system, high-volume stereo audio output, All made it the best advertising solution for the most demanded commercial, industrial and retail environment.

### Tech Spec

- ▶ LCD Panel Spec: Digital TFT-LCD With LED Backlight
- ▶ Panel Size: 23.5-inch ;
- ▶ Resolution (pixels): 1920x1080 ;
- ▶ Aspect Ratio (W:L): 16:9 ;
- ▶ Brightness: 250 CD/m<sup>2</sup> ;
- ▶ Contrast Ratio: 1000:1 ;
- ▶ Viewing Angle: U89/D89/L89/R89;
- ▶ Built-in Flash Memory: Optional 4G/8G (Custom Build );
- ▶ Memory Card Supported: SD Card ;
- ▶ Media File Formats Supported: JPG /BMP /PNG; MP3,WAV; Avi (.xvid), MP4, mov (MPEG1/2/4 1080P);
- ▶ Seamless Video Playback: 720P Videos;
- ▶ Interface: DC-in, On-Off Switch; SD Card Slot, USB Host, Volume Knob;
- ▶ Built-in Speakers :3W \* 2 Stereo Speakers;
- ▶ On-Board Volume Control: Built-in Volume Knob;
- ▶ OSD & Remote Control: Yes, Optional;
- ▶ OSD Language: English;
- ▶ AC Power Adapter: AC in 100-240V; DC Out 12V 3.5A;
- ▶ Unit Size: 570.2x339.6x47.2mm;
- ▶ Body Materials: Frontal tempered glass, back & middle frame ABS+PC;
- ▶ GPIO Controls (Optional ): Up to 4, Molex Connector, Cable length 60mm as default ;
- ▶ Motion Sensor: Optional, external connected; or Built-into frontal frame;
- ▶ Frontal Capacitive Touch Buttons(optional): Up to 4 touch spots, with silk printing & LED light;

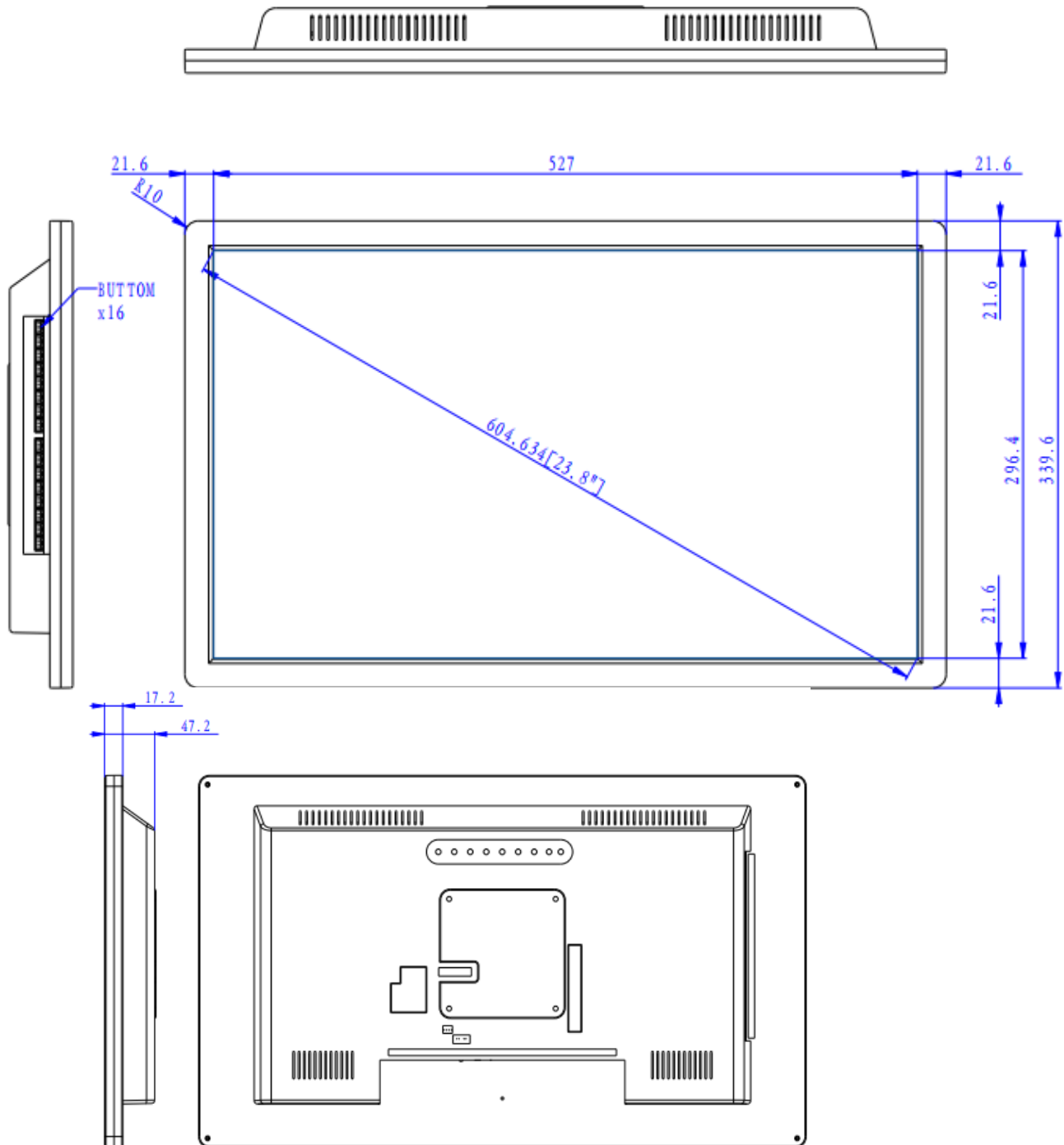
- > Commercial Tablet
- > Boxed Media Player
- > OpenFrame & All-in-One 1080P Player

• Point-of-Sale • Industrial • Commercial

## 23.8-inch POP Display Fully Housed With GPIO Buttons

23.8 inch 1920x1080 HD Display, Optional With Capacitive Sensor Button & GPIO Push Buttons

### Gallery & Mechanical Drawings



### Ordering Options:

Player Console: 23.8-inch Video Screen  
 AC Adatper: 12V /3.5A  
 Optical Sensor Buttons: Optional;  
 VESA Wall Mounts:Optional;  
 GPIO controls Protector:Included;  
 SD Card Protector: Included

