

32" OpenFrame VideoPoster LCD Media Player

Commercial-Grade HD Digital Media Player & LCD Video Display System



The 32" Openframe VideoPoster 1080P Media Player(ADOP-3201) is a dedicated plug & play advertising video display. It's simple, easy to use, stand-alone digital signage with interaction. Interaction includes motion sensors, push buttons. From gaming to hospitality to custom built kiosks, it solves all the requirements in the field.

- > Easy integration into existing chassis
- > Loop / Auto Playback Mode
- > USB Auto-Copy Content Update
- > Interactivity Via Motion sensor, Push Buttons, (optional)

Playable Formats

MPEG1. 2. H.264
 MPEG2. H.264
 AVI(XVID. H.264)
 MOV(XVID. H.264)

Playback Functions

Standard playback : Play, Stop, Pause, Repeat, Previous, Next Track, Volume
 Programmable playback : Loop, Auto and Program mode

LCD Panel Information

Screen size : 32" (Diagonal)
 Active area : 698 x 392 mm / 27.5 x 15.4 inches
 Max. Resolution : 1920 (H) x 1080 (V)
 Brightness : 250 cd/m²
 Contrast ratio : 1000 : 1
 Viewing angle : 85/85/85/85(L/R/U/D)
 Aspect Ratio: 16:9

Interface

Card Slot: SD/MMC
 USB: USB 2.0 Host
 Power Jack: 12V / 3.5A DC in
 Video Line-in: HDMI in
 GPIO: 4-pin x 8pcs (up to 8pcs)

Video Resolution

Video : 720 x 576 pixels (PAL)
 720 x 480 pixels (NTSC)
 1280 x 720
 1920 x 1080

Audio

Audio Format: MP3
 Stereo Output: Speakers, 2x2W/8Ω

Photo

Photo Format: JPEG
 Playmode: Auto Slideshow With Adjustable Interval

Options

Interactivity: Motion sensor, Push Buttons, Touchscreen
 Portrait / Landscape
 USB Auto Copy

Working Conditions

Operating Temperature: 0°C to 50°C
 Relative Humidity : 5% - 95% (Non-Condensing)

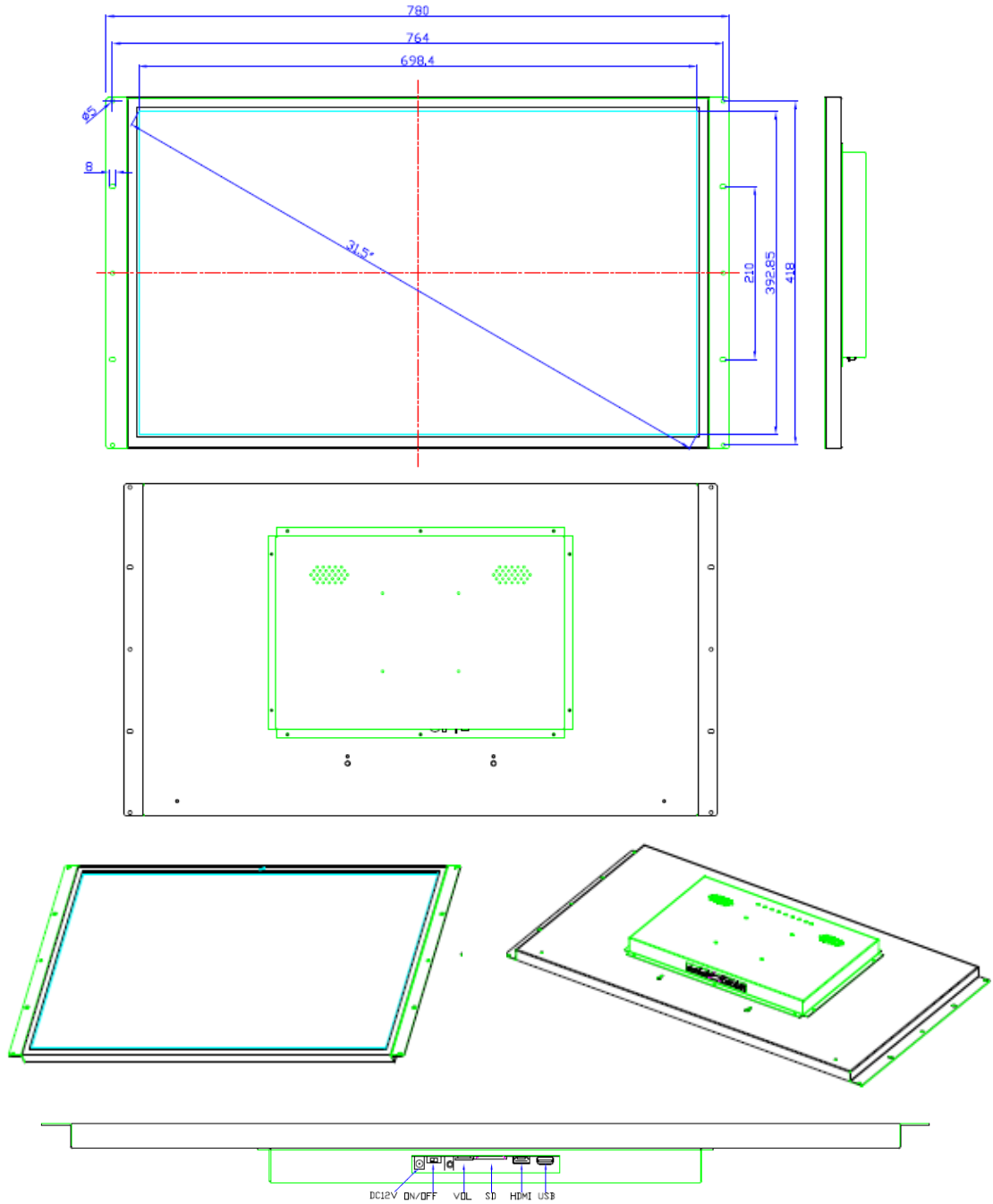
Shipping Info

W x D x H Unit /Packing : 780.6x418x58/992x672x296mm
 Weight: 12.3Kgs

32" OpenFrame VideoPoster LCD Media Player

Commercial-Grade HD Digital Media Player & LCD Video Display System

Mechanical Drawings



Ordering Options:

Player Console: 32 inch openframe video player

AC Adatper: 12V /3.5A

Push Button: 5V LED Plastic / Metallic

Motion Sensor: 120 degrees / 1.8 Meters