

- > Commercial Tablet
- > Boxed Media Player
- > OpenFrame & All-in-One 1080P Player

• Point-of-Sale • Industrial • Commercial

## 18.5" Commercial Tablet Android

Quad-Core Processor With HD 1366x768 pixels 18.5"LCD panel



Available in 14,15.6,18.5,21.5,24,27,32 inch

The 18.5" **Android Commercial Tablet**(Droid-1850) is a smart-designed retail tablet for interactive digital advertising. It features high resolution full HD LCD panel 1366x768 pixels to display your Ads message in a compelling way, the Quad-core processor is powerful to support the video-rich content with strong GPU. It comes with built-in VESA and slot protector for professional deployment.

- > Compact Design VESA mount & Slot Protector;
- > Optimized Android Commercial-Friendly: hidden status bar, Restrict Access To Only Selected Apps, etc;
- > Proven High-reliability 7/24/365 By Top Brands

### Commercial-Friendly

Allow users to access allowed APK or Website only;  
 Supports Full-Screen Browsing With Hidden Status Bar;  
 Password protection for exiting the Full-Screen;  
 Auto USB Copy & Auto Power On/Off;  
 Supports Various External POS Peripherals;

### Hardware

Processor : Quadcore 1.5GHz, Mali-450 GPU;  
 RAM : DDR3, 1GB;  
 ROM: 8GB(upgradeable to 16GB);  
 Frontal Cam: 2.0mp

\*Optional With RK3188 & 1GB RAM; RK3288 & 2GB RAM  
 Or Allwinner Quadcore A33

### LCD Panel Information

Screen size : 18.5" (Diagonal)  
 Active area : (W x H). 40.98 x 23.04 cm (16.13 x 9.07 in.)  
 Max. Resolution : 1366 (H) x 768 (V)  
 Brightness : 250 cd/m2  
 Contrast ratio : 1000 : 1  
 Viewing angle : 80/80/70/70(L/R/U/D)  
 Aspect Ratio: 16:9

### Interface

Card Slot: SD Card;  
 USB: USB 2.0 Host x2 , USB 2.0 OTG x1;  
 Power Jack: 12V /2.5A DC in  
 RJ45: 1  
 Audio: 3.5mm Earphone Port;

### Touchscreen

Capacitive Multi-touch With G+G Structure For Industrial Use ;

### Audio

Audio Format: MP3  
 Stereo Output: Speakers, 2x3W/8Ω

### Options

Interactivity: Barcode Reader, RFID Reader, Thermal Printer, Push Buttons, Motion Sensor

### Photo

Photo Format: JPEG/BMP /PNG

### O/S

Android 4.4 / Android 5.1 / Android 7.0

### Working Conditions

Operating Temperature:0°C to 50°C  
 Relative Humidity : 5% - 95% (Non-Condensing)

### Shipping Info

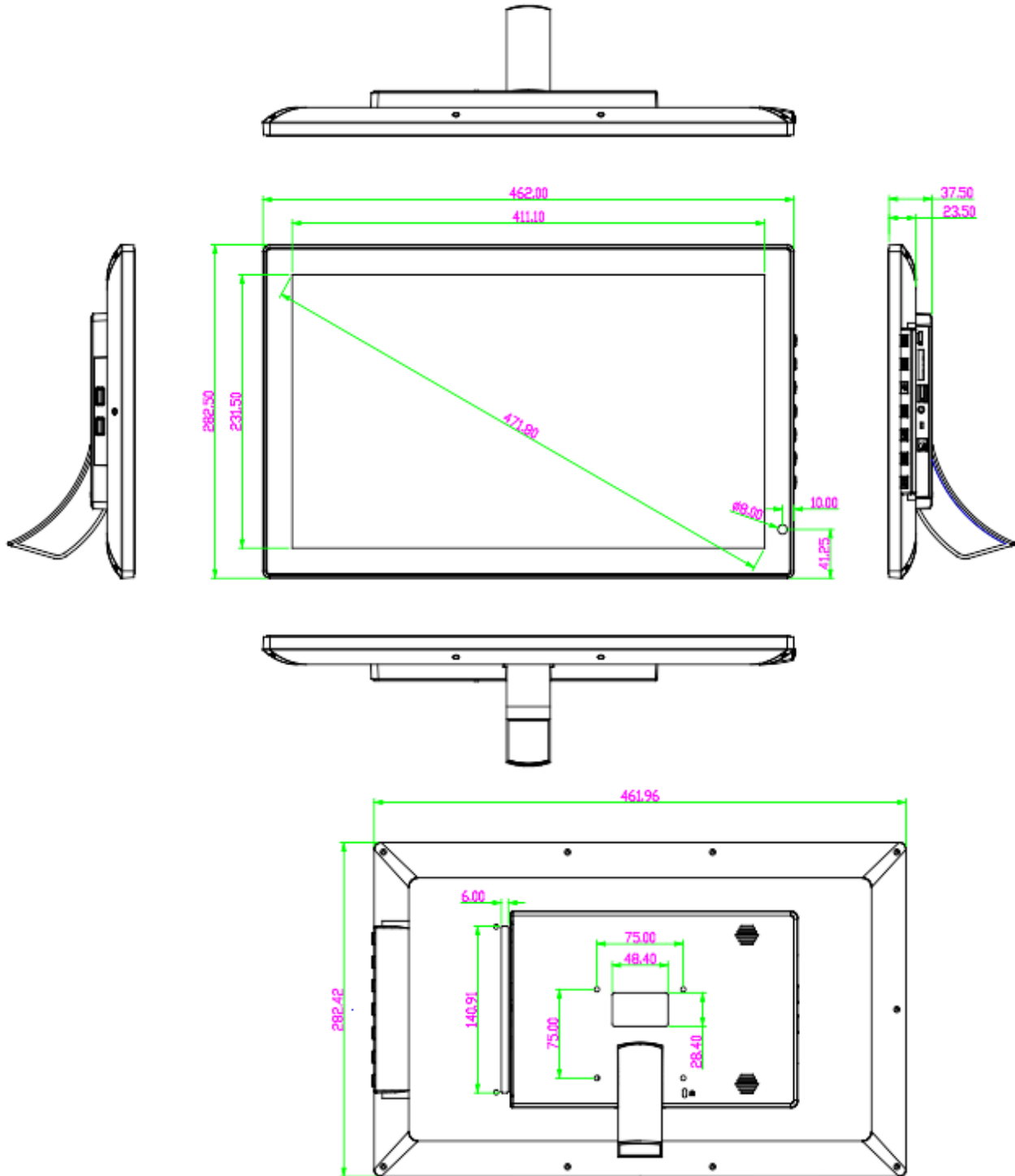
W x D x H (unit/Box): 468\*288\*37.5mm / 528x110x395mm  
 Carton Size:54x35.5x41cm/3pcs; N.W. / G.W. : 12/13kgs

- > Commercial Tablet
- > Boxed Media Player
- > OpenFrame & All-in-One 1080P Player
- Point-of-Sale • Industrial • Commercial

## 18.5" Commercial Tablet Android

Quad-Core Processor With Full HD 1366x768 pixels 18.5"LCD panel

### Mechanical Drawings



### Ordering Options:

Tablet Console: 18.5 inch Android Kiosk Capacitive  
 AC Adatper: 12V /2.5A