

Linux Touch Panel With Brightsign Alternate I/O Openframed

Commercial-Grade HD IPS LCD Panel With Brightsign Alternate I/O Ports



The 10.1" Linux Touch Panel PC(OP1026LX) is a smart-designed touch panel controller integrated with Brightsign alternate I/O ports, which can be easily connected with buttons, external speakers, lighting, and more with the full range of I/O ports: 2 USB ports, digital audio, GPIO, serial, and 12V power out for accessories add a new layer of depth to your signage.

- > Industrial Grade quality LCD screens;
- > Easy integration in to existing chassis
- > API support for developers;
- > Connect with external devices through GPIO and Serial to take experiences beyond the screen to control house lighting, RFID accessories and more.

Playable Formats

MPEG-1 Video
MPEG-2 Video MP@HL
MPEG-4 Video DVIX
H.264;
H.265 /Hvc

LCD Panel Information

Screen size : 10.1" (Diagonal)
Active area : 216.96(H) x 135.6(V)
Max. Resolution : 1280 (H) x 800 (V)
Brightness : 350 cd/m2
Contrast ratio : 1000 : 1
Viewing angle : 89/89/89/89(L/R/U/D)
Aspect Ratio: 16:10

Video Resolution

H.265 4K@30fps decoding
H.264 1080P@60fps decoding
H.264 1080P@60fps decoding
H.264 720P@120fps decoding

O/S

Linux Kernal: 3.10
OS: Ubuntu 16.0

Storage

On-board Nand flash and Micro SD Card

Processor & Configuration

Processor: Allwinner 64-bit Quad-core Cortex-A53 1.3GHz;
GPU: Mali 400MP2
RAM : 512MB (DDR3), up to 2GB

Interface

- >2x USB 2.0
- >Phoenix GPIO (4-pin bi-directional terminal block)
- >3.5mm TTL Serial Port
- >J10: DC 12v 6-pin Power Out
- >3.5mm remote control input
- >DC Molex 4-pin 12V Power In
- >Optional: Power over Ethernet

Audio

- >2x Stereo 3W Internal Speakers
- >3.5mm Audio Out (Analog and Digital)

Working Conditions

Operating Temperature:0°C to 50°C
Relative Humidity : 5% – 95% (Non-Condensing)

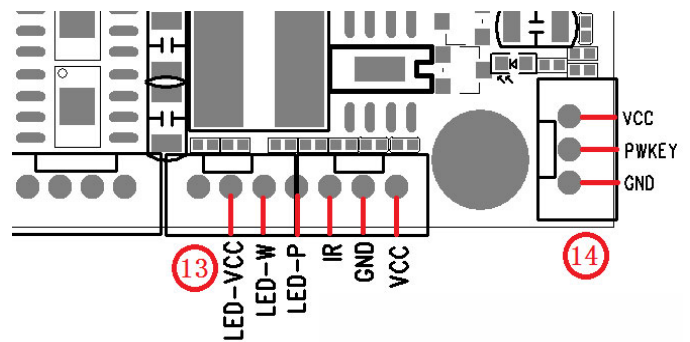
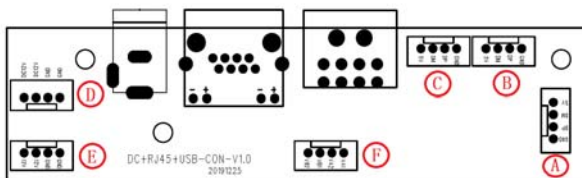
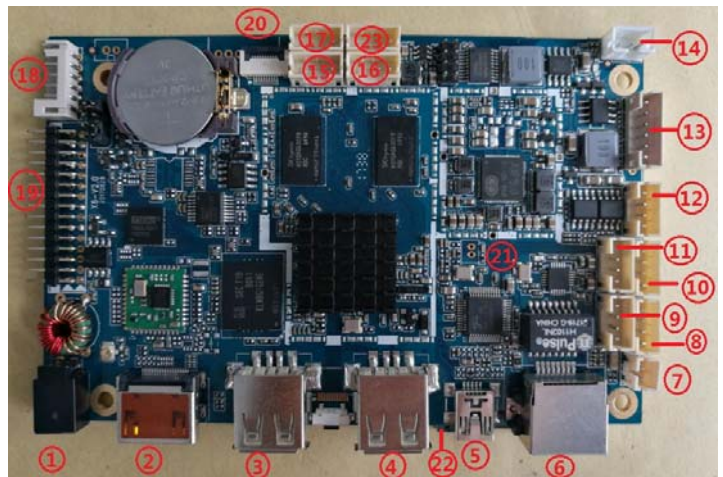
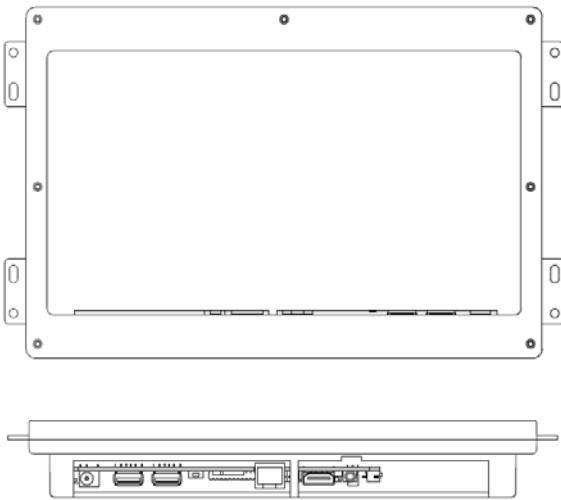
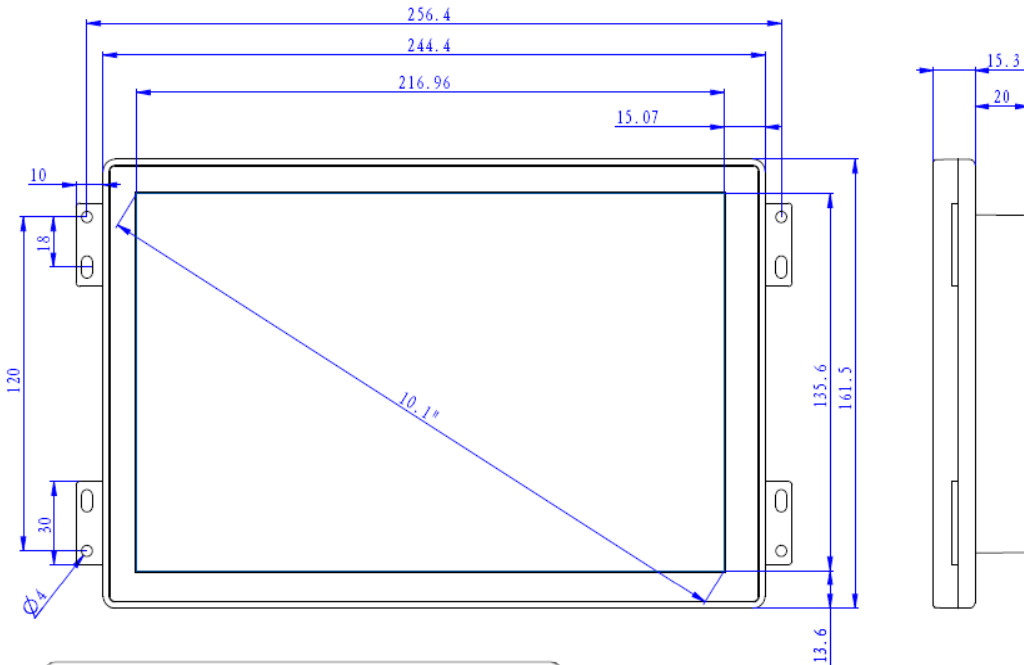
Shipping Info

W x D x H : 260x180x38.4mm
Weight: 0.8Kgs

Linux Touch Panel With Brightsign Alternate I/O Openframed

Commercial-Grade HD IPS LCD Panel With Brightsign Alternate I/O Ports

Mechanical Drawings



Ordering Options:

- Player Console: Linux Touch Panel
- AC Adatper: 12V /1A
- Push Button: 5V LED Plastic / Metallic
- Motion Sensor: 120 degrees / 1.8 Meters
- RFID reader etc

**interface definition available upon request

**custom design interface board available project only.