

Handheld Windows/ Android Mobile Tablet With Detachable Peripheral Kit

11.6-inch Full HD IPS Panel With Abundant I/O Ports For POS Peripheral Integration



The 11.6" **Handheld Tablet Terminal**(P1160W) is a smart-designed touch panel controller with detachable peripheral kit, which can take advantage of the standard Windows/ Android Tablet with a modular approach for optimal configuration. It is designed for the applications of retail, hospitality, warehouse & logistics, industrial field service and certification, the IP-rated protection makes it lasting for indoor heavy use.

- > Industrial Grade quality LCD screens;
- > Easy integration with RFID/NFC reader, MSR, barcode reader;
- > Available in either Windows 10 or Android 8.

Playable Formats

MPEG-1 Video
MPEG-2 Video MP@HL
MPEG-4 Video DVIX
H.264;
H.265 /Hvc

LCD Panel Information

Screen size : 11.6" (Diagonal)
Active area : 256.32(H)×144.18(V) mm
Max. Resolution : 1920(RGB)×1080 [FHD]
Brightness : 350 cd/m²
Contrast ratio : 700 : 1
Viewing angle : 89/89/89/89(L/R/U/D)
Aspect Ratio: 16:9

Windows Version

Processor: Intel Apollo Lake J3455, up to 2.3GHz;
RAM:8GB LPDDR4;
ROM:64GB EMMC;
Camera: OV5648 5 Million Pixels;
WiFi:802.11 b/g/n;
Bluetooth:4.0 EDR;
On-board Buttons: POWER,VOL-,VOL+ ;
Audio: 3.5mm 5-pin;
Card: Micro SD Card slot x1;
USB: Type C x1; (2x USB type A expandable);
Built-in Battery:7.6V/4500mAH;

Android Version

Processor: MT6797 (GPU T880 780MHz);
Memory:DDR3 + EMMC5.1 (3+32G / 4+64G);
Data: 4G:TDD LTE FDD LTE , VoLTE 3G:HSPA+ ,EVDO,
GPRS EDGE; 2G:GPRS class 12/EDGE;
Camera: OV5648 5 Million Pixels;
WiFi:802.11 b/g/n;
Bluetooth:4.0 EDR;
On-board Buttons: POWER,VOL-,VOL+ , Reset;
Audio: 3.5mm 5-pin;
Card: Micro SD Card slot x1;
USB: Type C x1 (2x USB type A expandable);
Built-in Battery: 7.6V/4500mAH;
HDMI micro optional

Audio

>2x Stereo 1W Internal Speakers (optional with external)

Working Conditions

Operating Temperature:0°C to 50°C
Relative Humidity : 5% – 95% (Non-Condensing)

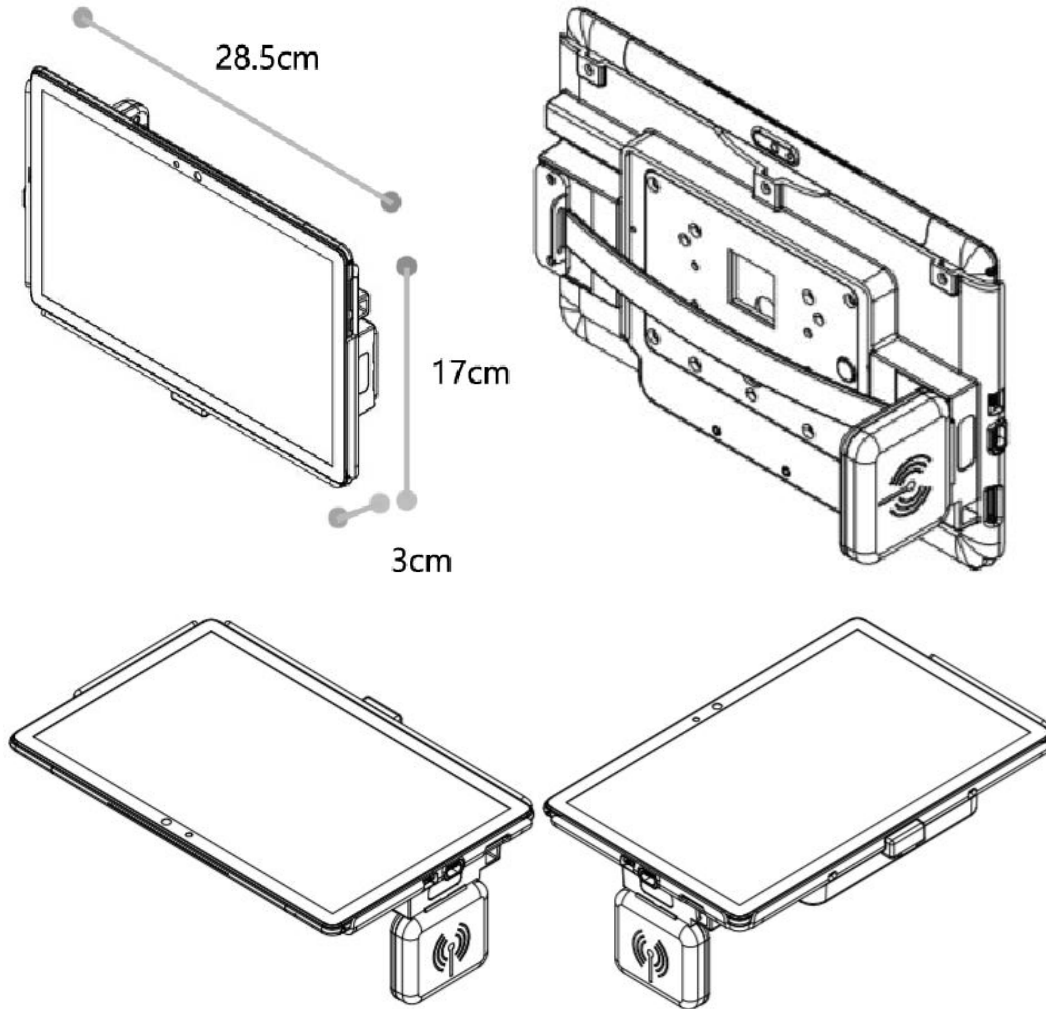
Shipping Info

W x D x H : 122mm*84mm*5.5mm
Weight: 0.8Kgs

Handheld Windows/ Android Mobile Tablet With Detachable Peripheral Kit

11.6-inch Full HD IPS Panel With Abundant I/O Ports For POS Peripheral Integration

Mechanical Drawings



Barcode Reader



RFID Reader



MSR Reader

Ordering Options:

Player Console: Mobile Tablet with peripheral kit (including the peripherals)

AC Adatper: 12V/2A For Windows; 5V /3A for Android;