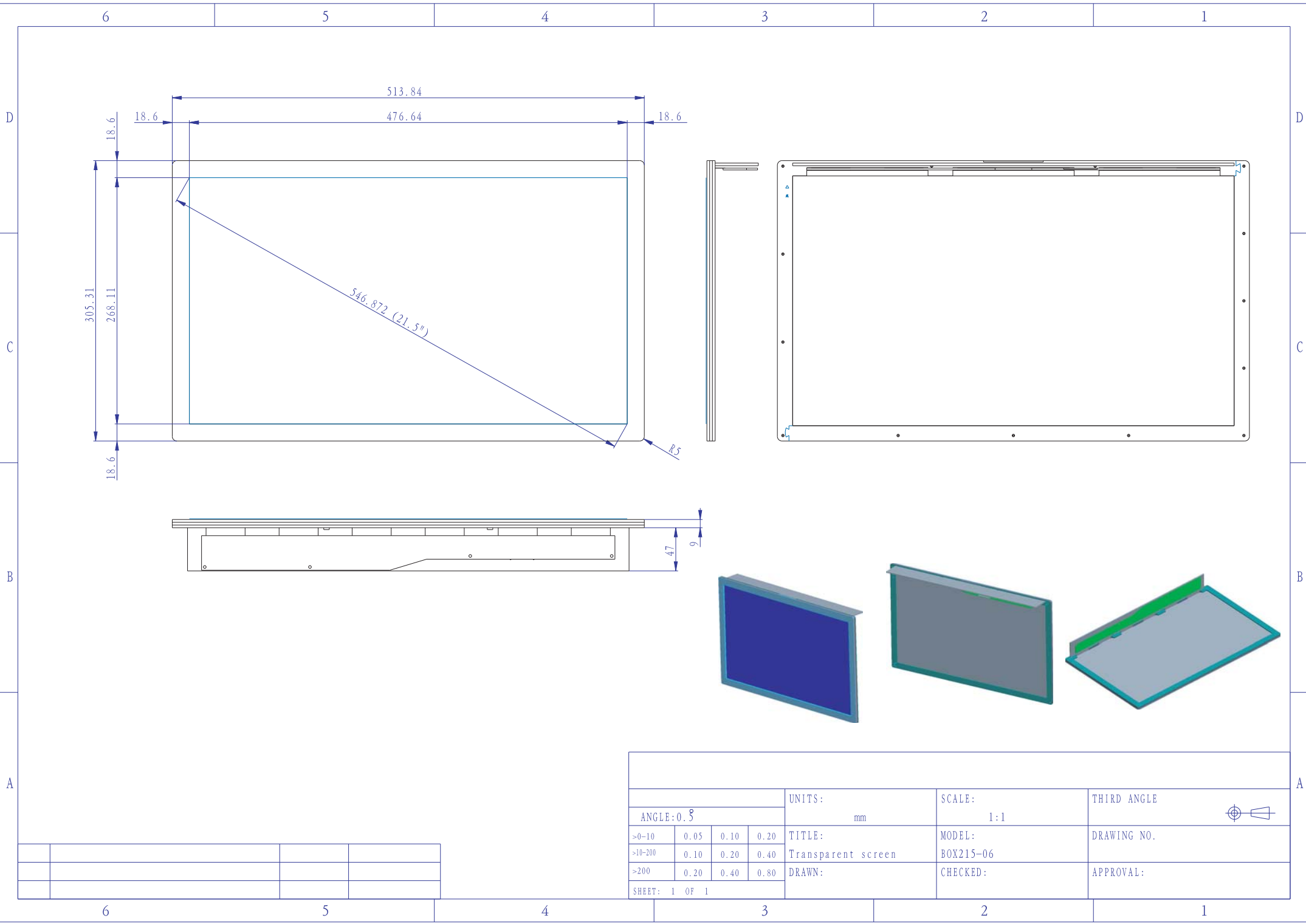
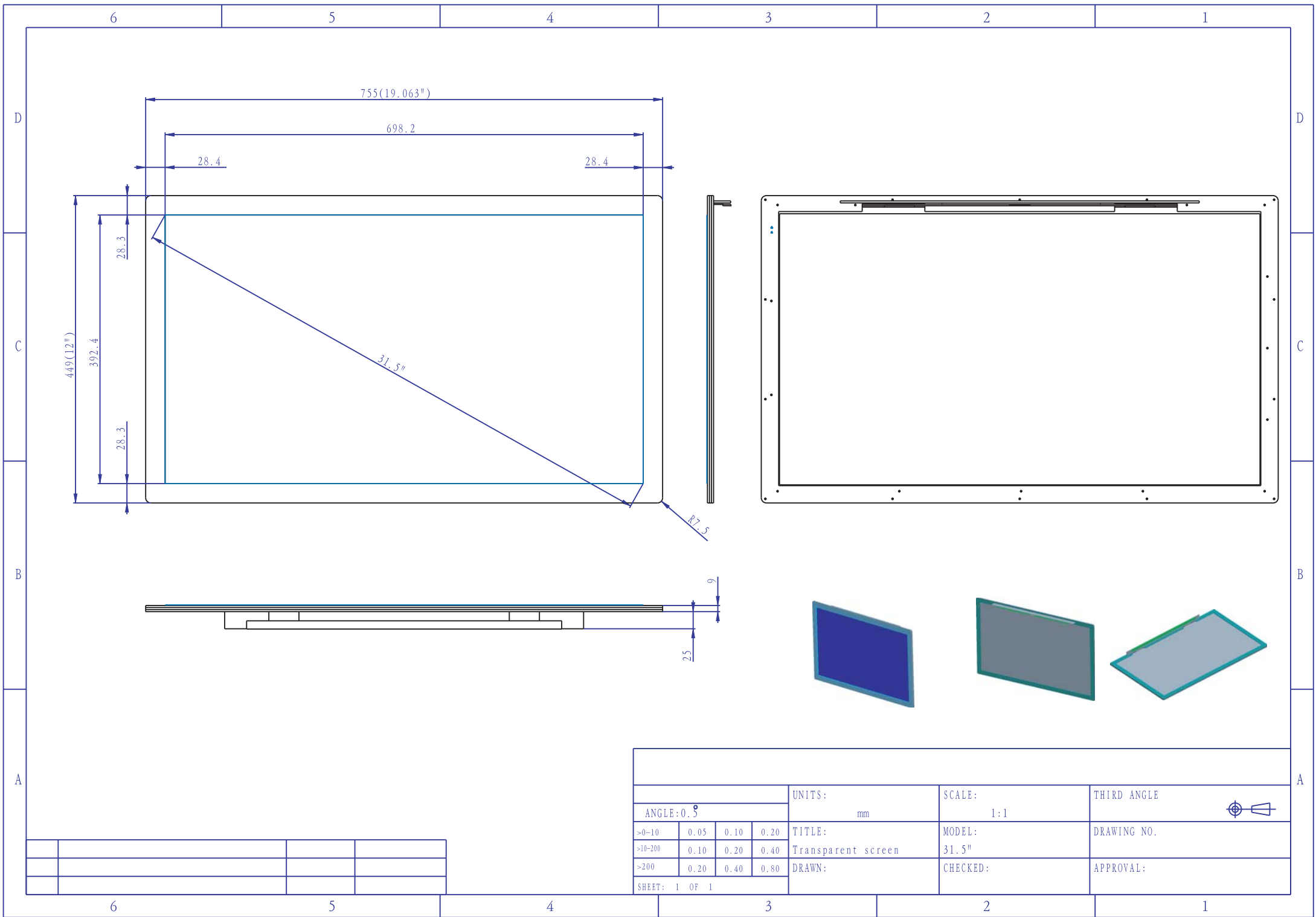


	NEW		2015-12-31
NO.	DESCRIPTION	NAME	DATE

GENERAL TOLERANCE				UNITS:	SCALE:	THIRD ANGLE
ANGLE: 0.5° DECIMAL: ±				mm	1:1	
>0-10	0.05	0.10	0.20	TITLE:	MODEL:	DRAWING NO.
>10-200	0.10	0.20	0.40		ADTP156	
>200	0.20	0.40	0.80	DRAWN:	CHECKED:	APPROVAL:
SHEET: 1 OF 1						



ANGLE: 0.5				UNITS:	SCALE:	THIRD ANGLE
				mm	1:1	
>0-10	0.05	0.10	0.20	TITLE:	MODEL:	DRAWING NO.
>10-200	0.10	0.20	0.40	Transparent screen	BOX215-06	
>200	0.20	0.40	0.80	DRAWN:	CHECKED:	APPROVAL:
SHEET: 1 OF 1						



ANGLE: 0.5°				UNITS:	SCALE:	THIRD ANGLE
				mm	1:1	
≥0-10	0.05	0.10	0.20	TITLE:	MODEL:	DRAWING NO.
≥10-200	0.10	0.20	0.40	Transparent screen	31.5"	
≥200	0.20	0.40	0.80	DRAWN:	CHECKED:	APPROVAL:
SHEET: 1 OF 1						
