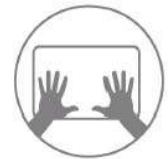




Specifications

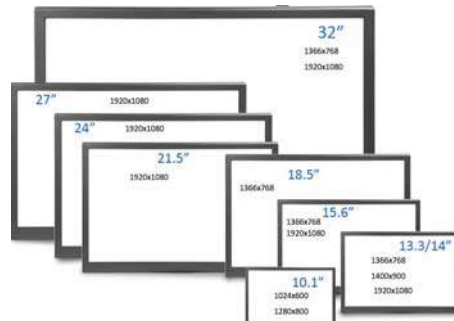
- ✓ 1080P Full HD Display, 170 degrees viewing angle
- ✓ Optimized for advertising: **root access, no screen lock, hidden status bar**
- ✓ Built-in card slot protector, VESA, Slat, RJ45



10-point multitouch

Touchscreen Retail Tablet - A New Way Of Interactive Shopping

- ✓ Made for 7/24/365
- ✓ Available From 10.1"-55"



7 inch & 10 inch Shelf-Edge Retail Tablet With Frontal Speakers

7"



10.1"



13.3-----24"



13.3 /15.6/18.5/21.5-inch, 75mm VESA for 14/15.6/18.5-inch, 100mm VESA For 100mm

Challenges Of Small-Sized Shelf-Edge Or Tabletop Retail Tablets:

- 1#. The Design Is Not Consumer-Friendly;
- 2#. Volume Is Not Loud Enough For Retail Environment ;
- 3#. Mounting & Anti-tampering Is Limited

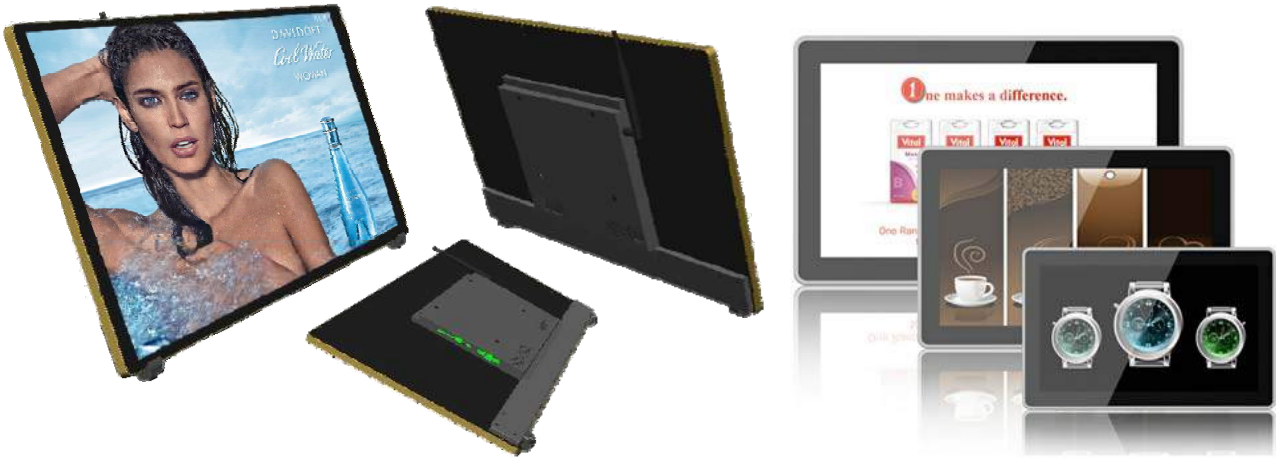


24/27/32-inch

75/ 100 Compliant VESA

All Interface At One Side

24/27/32-inch in Metallic Housing For More Tough Retail Environment



- ▶ Sexier :iPhone 4S inspired Rounded Rectangle Frontal Frame
- ▶ Thinner: 15mm thinner than plastic housing
- ▶ Stronger: Touchscreen Packed via Computerised Machine

Shelf-edge

Tablet-Top

Floor-standing



*Pictures for reference only, color, cosmetics, shape may vary a little with real products.

Specifications:

CPU	Quadcore Cortex-A9 1.6GHz	14", 15.6", 18.5", 21.5", 24", 27", 32", 43", 55"
	Octa-Core Cortex-A7 1.6GHz	14", 15.6", 18.5", 21.5", 24", 27", 32", 43", 55"
Internal Memory	8GB	14", 15.6", 18.5", 21.5", 24", 27", 32", 43", 55"
	8GB/16GB/32GB	14", 15.6", 18.5", 21.5", 24", 27", 32", 43", 55"
Operating System	Android 4.4 Kitkat	14", 15.6", 18.5", 21.5", 24", 27", 32", 43", 55"
RAM	1GB	14", 15.6", 18.5", 21.5", 24", 27", 32", 43", 55"
	2GB	14", 15.6", 18.5", 21.5", 24", 27", 32", 43", 55"
Warranty & Service	Warranty	2 Years
	RMA Parts Availability	5 Years

Network, Interface & Media Format Support:

WiFi 802.11 b/g/n 3G USB Dongle ext 10M/ 100M Ethernet Bluetooth 3.0 (14", 15.6", 18.5", 21.5") Bluetooth 4.0 (24", 27", 32", 43")	Interface	Supported Media
	SD, Support Up To 32GB USB OTG USB HOST x3 DV Power Input RJ45 3.5mm Headphone HDMI in (optional for 24", 27", 32", 43")	Video: MPEG-1, MPEG-2, MPEG-4, H.264, VC1, RV, Up to 1080P Audio: MP3/MWA/AAC IMAGE:JPEG/BMP/PNG

Others

Speaker	2X2W	14", 15.6", 18.5"
	2X3W /5W	21.5", 24", 27", 32", 43", 55"
Camera	2.0MP, Frontal	14", 15.6", 18.5", 21.5"
	5.0MP, Frontal, AF	24", 27", 32", 43", 55"

LCD Panel & Mechanical

Model No.	Droid1400	Droid1560	Droid1850	Droid2150	Droid2400	Droid2700	Droid3200	Droid4300
Screen Size	14" IPS	15.6" IPS	18.5"	21.5" IPS	24"	27"	32"	43"
Resolution	1920x1080	1920x1080	1366x768	1920x1080	1920x1080	1920x1080	1920x1080	1920x1080/2K
Aspect Ratio	16:9	16:9	16:9	16:9	16:9	16:9	16:9	16:9
Brightness CD/m2	300	300	300	300	300	300	300	300
Contract Ratio	700:1	700:1	1000:1	1000:1	1000:1	1000:1	3000:1	3000:1
Viewing Angle H/V	178/178	178/178	170/160	178/178	178/178	178/178	178/178	178/178
Touchscreen	10-point capacitive touch (optional without touch)							
Mounting	75mm vesa	75mm vesa	75mm vesa	100mm vesa	100 mm vesa	100mm vesa	100mm vesa	100mm vesa
Housing	ABS Plastic							
						Plastic / Metallic		
AC Adapter	12V / 3A				12V /5A			
POE Option		√	√	√				
Dimension	355x228x32.6 mm	404x253x33.5 mm	468x288x37.5 mm	538x331x37.5 mm	595.5x363.1x4 3.6mm	663.73x400x4 1.1mm	763.77x457.21 x47.02mm	TBA
Weight/ Unit kgs	1.00	1.20	3.00	3.50	4.80	5.30	7.60	TBA
Unit Packing	390x330x80mm	430x360x85mm	528x110x395mm	600x120x425mm	670x480x125mm	740x520x150mm	880x580x150mm	TBA
Quantity / Carton	5	7	3	4	2	1	1	TBA
Carton Size	430x410x370mm	620x440x375mm	54x35.5x41cm	61.2x51x44cm	740x560x2500mm	740x520x150mm	880x580x150mm	TBA

One-Stop Solution

I don't have an app for advertising on retail tablet ?

Don't Worry, We Have A QuickSign Author For You To Design Your Own Act Of Content Like Make A PPT.



POS Peripherals Friendly

Touch profiler: Tech-free operation, easy to use;

Design your own individual touch screen layout;

Place the touch spots where you want them;

Program your Menus as you need them;

Create your own interactive touch-screen Questionnaires and take easy surveys;

The "About US" Of This Authoring Tool
Could Be Retitled Under YOUR
Company Name.

Challenges Of Today's Ordinary Commercial Tablet When They Are Employed For In-Store Advertising:

1#.

Most Small and Medium-sized (SME) Buyers Don't Have In-House Software Team, Neither The Hardware Manufacturers In China.

2#.

End Users (Brands On Shelf) Are Not Willing To Disclose Their In-Store Promotion Campaign Details To Other Companies Before It Is Launched.

3#.

Android Becomes Fragmented For Hardware Devices, Each ROM Has Different Customization And Compliance With Digital Signage Apps, Software Vendors Without Hardware Experience Can NOT Offer One-Stop Solution.

Hard question For No.1,

"I don't have an app for advertising application on retail tablet ?"

Don't Worry, We Have A QuickSign Author For You To Design Your Own Act Of Content Like Make A PPT.

Hard question For No. 2,

"Can I Design The Content With Your Software In-house ?"

Yes, You Can DIY It Via Your Own, And Export The Assembled Content Into A Blank SD Card, Insert the SD Card Into Our Device & Power On To GO !

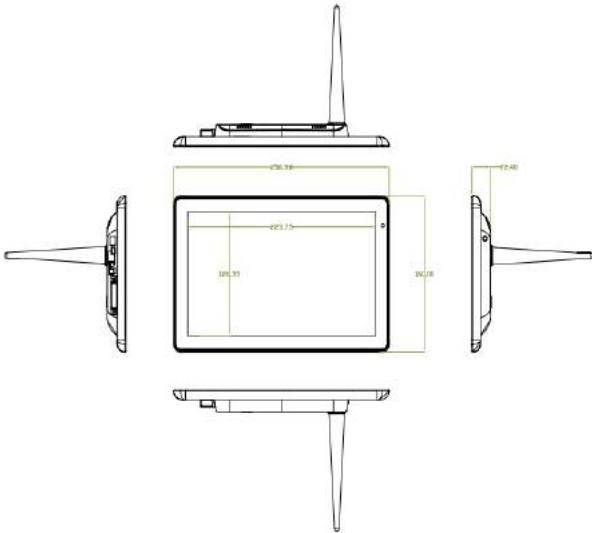
Hard question For No. 3,

"Can I have root-access, hidden status bar, power-on autorun, driver for printer.... ?"

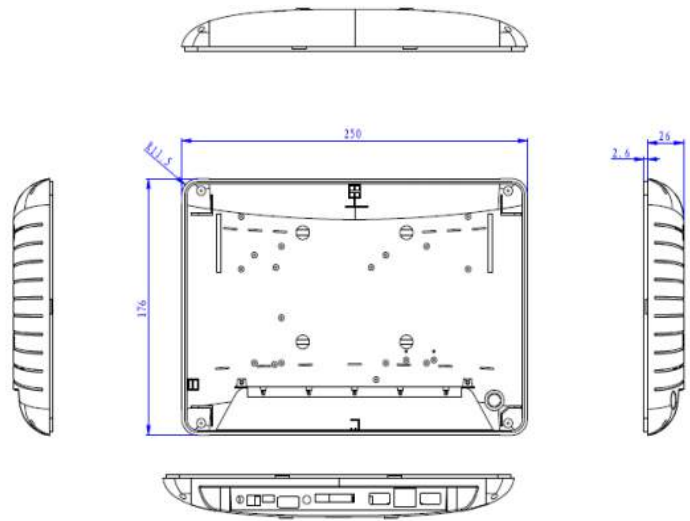
We Have Optimized Our Hardware To Make It Commercial-friendly And Tech-free For Setup.

And We Have Built Various POS Peripheral Interface With Fixed Parameter In Our Content Author Tool, What You Need Is To Click And Select From A Drop Down Button And Name Your Device, For Pro-Users, We Can Offer You Some Simple Syntax To Write A Configuration Text File And Copy It Into The Designed Folder.

Drawings Index:

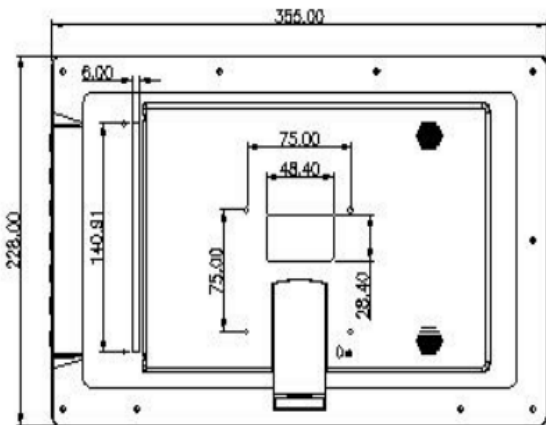
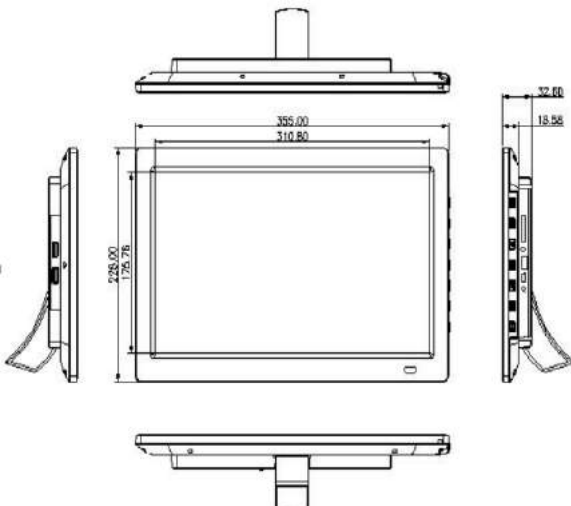


Droid10022F

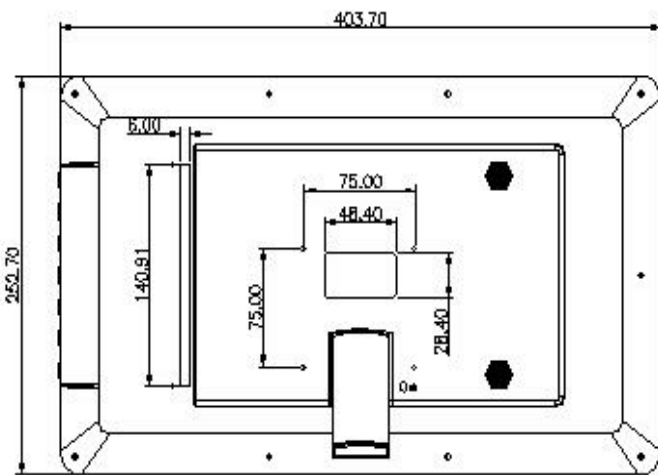
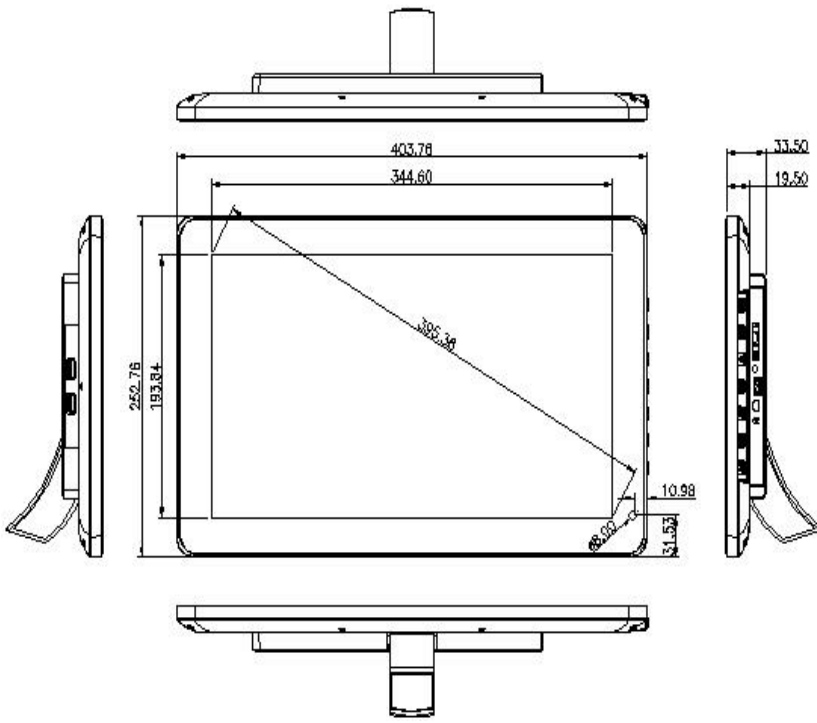


Droid1016

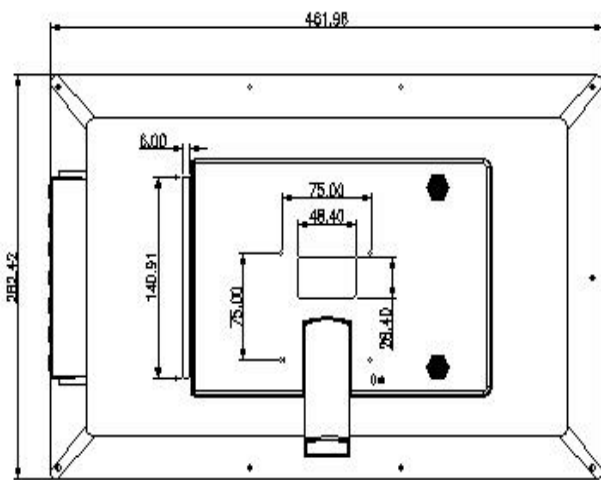
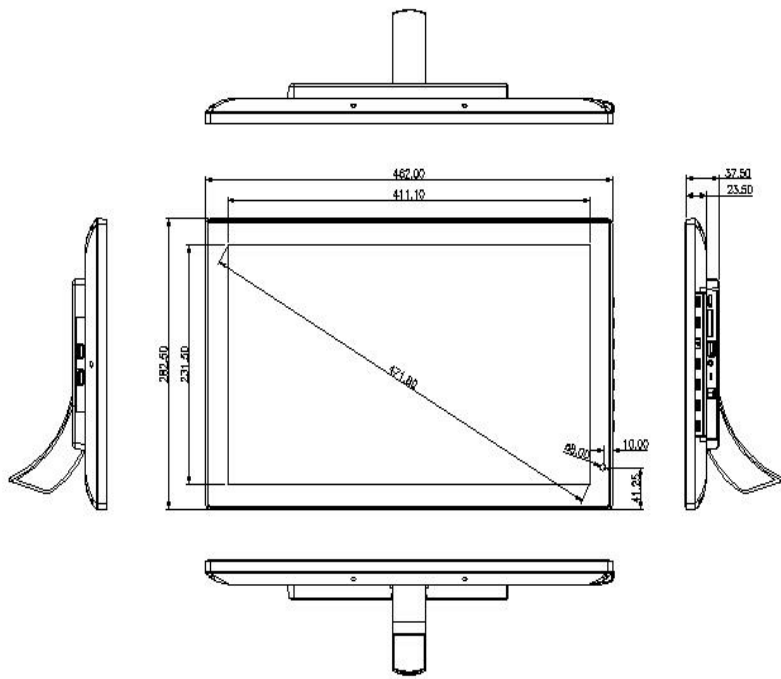
10.1 inch



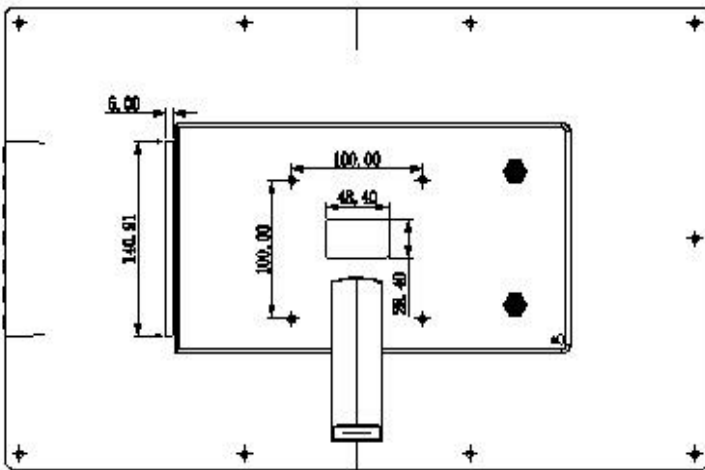
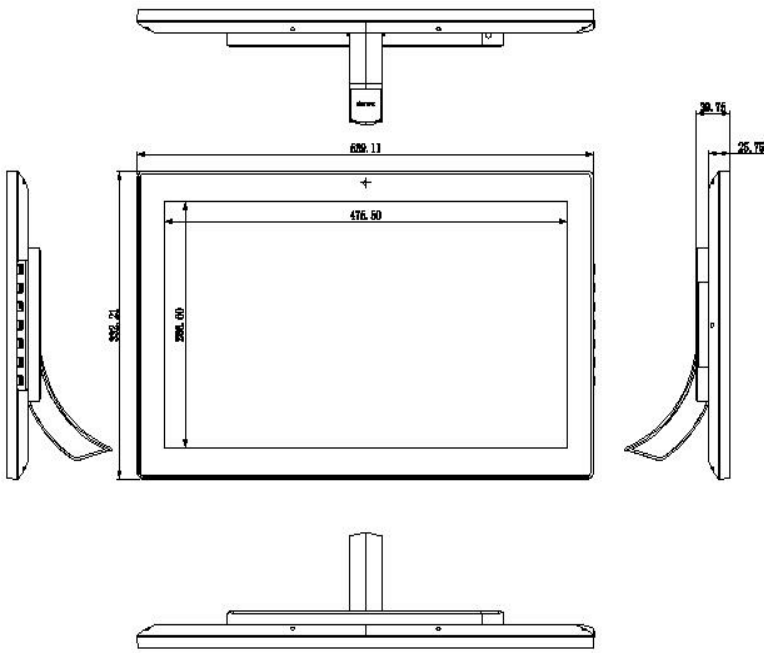
14 inch



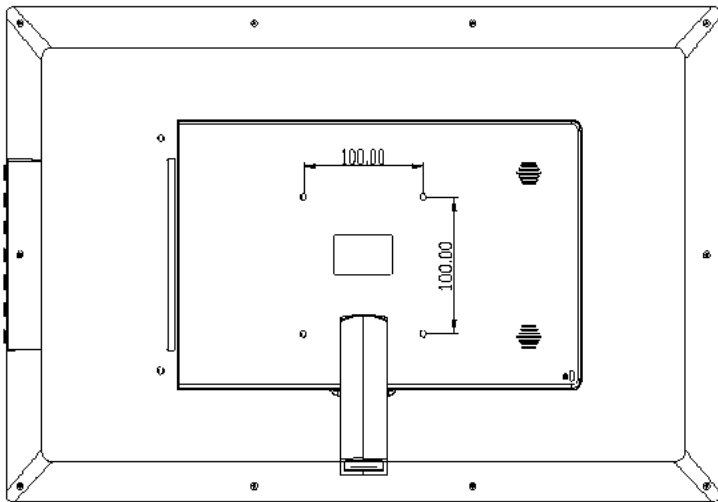
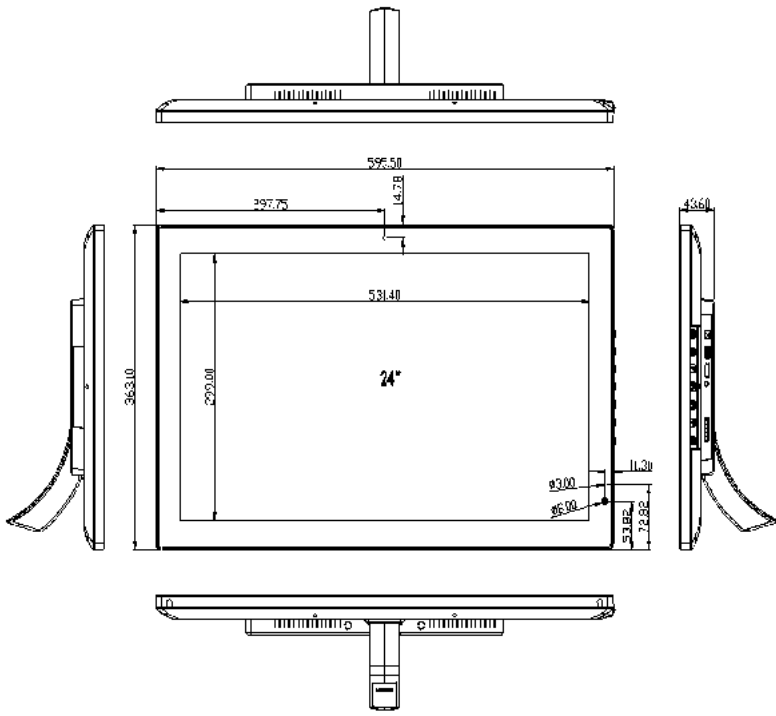
15.6 inch



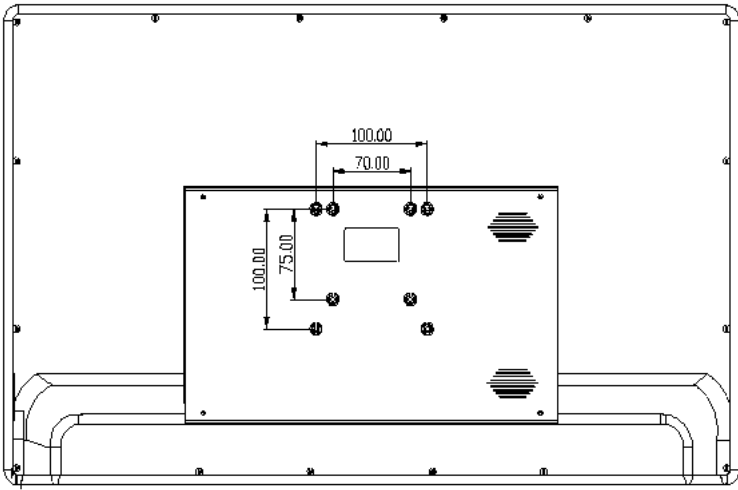
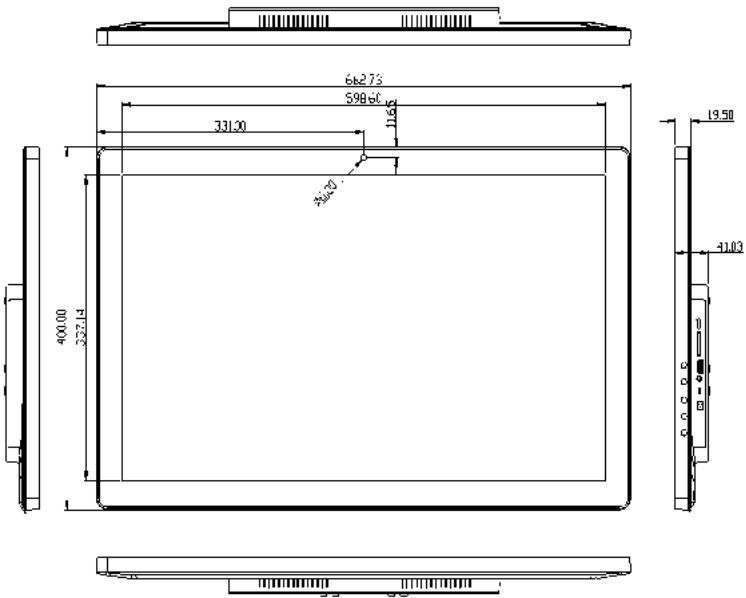
18.5 inch



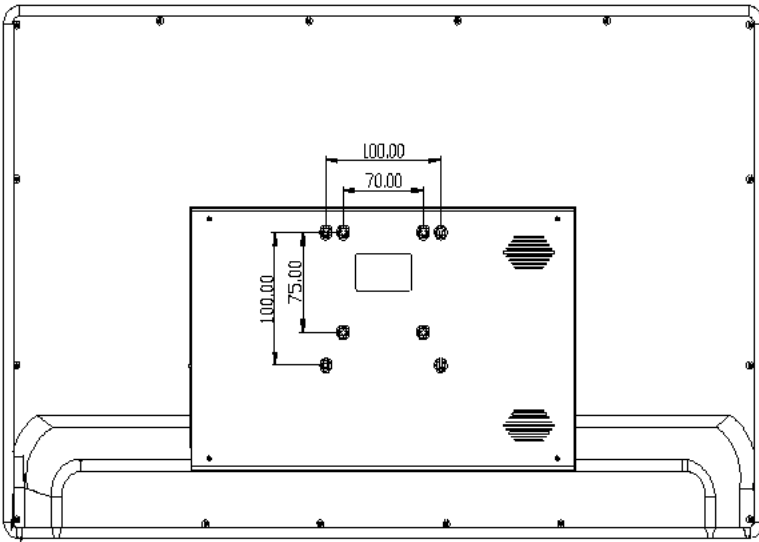
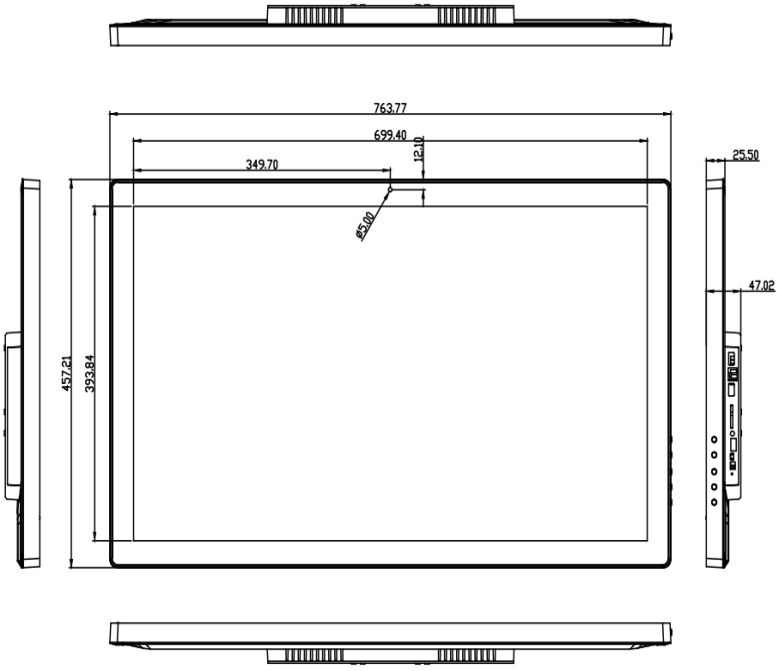
21.5 inch



24 inch



27-inch



32-inch

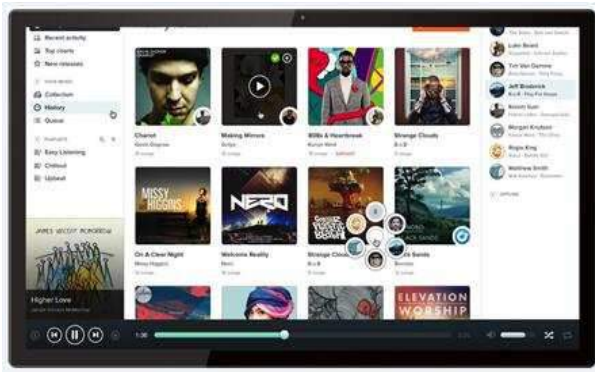
- > Commercial Tablet
- > Boxed Media Player
- > OpenFrame & All-in-One 1080P Player

- Point-of-Sale ● Industrial ● Commercial

55" Commercial Tablet Android

Quad-Core Processor With Full HD 1920x1080 pixels 55"LCD panel

Model No.:Droid5500



Commercial-Friendly

- Dedicated Android O/S 5.1;
- Allow users to access allowed APK or Website only;
- Supports Full-Screen Browsing With Hidden Status Bar;
- Password protection for exiting the Full-Screen;
- Auto USB Copy & Auto Power On/Off;
- Supports Various External POS Peripherals;

LCD Panel Information

- Screen size:55 inch diagonal;
- Display Type:TFT-LCD IPS screen 1920*1080 pixels;
- Viewing Angle:178° (H)178° (V);
- Backlight type:LED;
- Aspect ratio: 16:9;
- Brightness:350cd/m2;
- Contrast Ratio:4000:1;

Touchscreen

- 60-Point metal mesh touch screen

Options

- Interactivity: Barcode Reader, RFID Reader, Thermal Printer, Push Buttons
- Frontal Camera: Optional;

Connectivity

- Network:WiFi 802.11 ac / Bluetooth 4.0

Ordering Options:

- Tablet Console: 55 inch Android Kiosk Metal Mesh Touchscreen
- AC Adatper: 12V /5A

Hardware

- Processor : ARM Cortex-A17 Quadcore 1.8GHz, RK3288;
- RAM : DDR3, 2GB;
- ROM: 16GB (upgradeable to 32GB);

Interface

- Card Slot: SD Card;
- USB: USB 2.0 Host x2, Mini USB OTG x1;
- Power Jack: 12V /4A DC in
- RJ45: 1
- Audio: 3.5mm Earphone Port;
- HDMI Out: HDMI 1.4 x1;

Video

- MPEG-1,MPEG-2,MPEG-4,H.263,H.264,H.265, RV etc.,support up to 3840x2160 @ 60fps

Audio

- Audio Format: MP3/WMA/AAC
- Stereo Output: Speakers, 2x5W/8Ω

Photo

- Photo Format: JPEG/BMP /PNG

Working Conditions

- Operating Temperature:0°C to 50°C
- Relative Humidity : 5% - 95% (Non-Condensing)

Shipping Info

- W x D x H (unit) : 1263.18x747.28x56.5mm
- Carton: N/A Qty / Carton: 1pcs G.W. :kgs

- > Commercial Tablet
- > Boxed Media Player
- > OpenFrame & All-in-One 1080P Player

- Point-of-Sale
- Industrial
- Commercial

55" Commercial Tablet Android

Quad-Core Processor With Full HD 1920x1080 pixels 55"LCD panel

Model No.:Droid5500

Gallery

