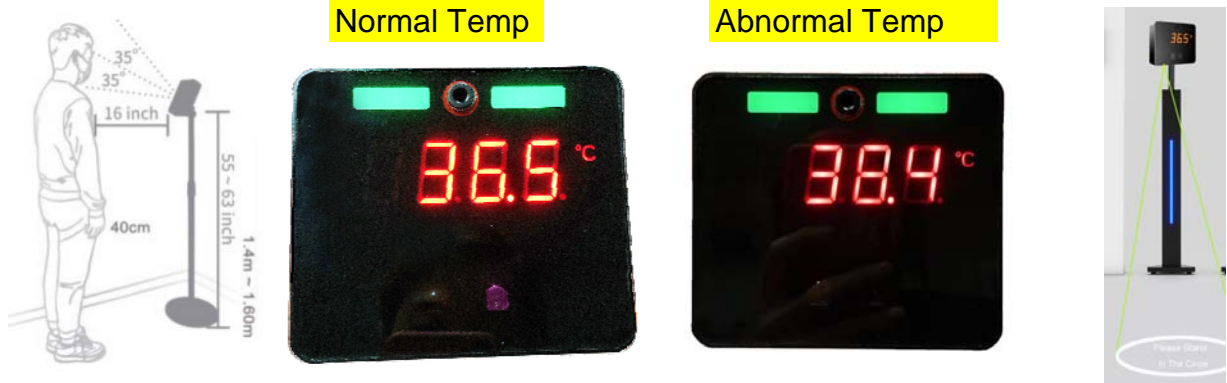


Contactless Temperature Screening Detector

Medical Grade Infrared Thermal Detection, Proximity Sensing, Local Alarm, Guide Light



Highlighted Features

Model No. CTD2020

- >Medical Grade thermal image infrared temperature sensor: MLX90614ESF-DCI ;
- >Dual-side LED displays.
- >High precision +/-0.1°C ;
- > Quick Measurement Within 0.5 Second for forehead and wrist;
- >Celsius/Fahrenheit Switch;
- >Fever Detection Alarm via LED flash & bell;
- >Auto Re-detection When super low abnormal temperature detected (failed detection doesn't show).
- >Rugged Metallic Housing For Heavy Duty Use;
- >Built-in UART (mini USB) for further options like RFID, Relay;
- >Alarm volume & Alarm temperature point adjustable;
- >Proximity Sensor to detect user presence and illuminate the optimum standing area to guide the user for detection.

Thermometer Detection Display Allows Employees Back Into The Office In A Safe, Effective, and Cost-Efficient Way:

- >>Creating peace of mind in public space;
- >>Delivering results you can trust;
- >>User Friendly With custom options;
- >>Networked version available project only.

Tech Spec

Processor:

Micro controller Unit
 (ARM chip optional for networked version)

Temperature Display:

4-character LED Display With Celsius/Fahrenheit indicator

Temperature Measurement

Range: 35°C ---42°C, 95°F ~ 107.6°F

Accuracy: +/-0.1°C

Measurement Distance:30--60cm (12-24inch), ideally 40cm

Response time: 0.5 second;

Alarm Method: Warning Bell, Voice (70dB) + LED red indicator (flash);

Power Consumption: <5W;

Operate temperature: (indoor)15°C ---35°C, 59°F ~ 95°F;

Operating humidity: 0-85% RH (non-condensing);

User Presence Detection:

Proximity Sensor: Sharp GP2Y0A02YK0F

Sensing Range: 150cm;

Body Temperature Sensor:

Melexis MLX90614ESF-DCI

Detection temperature -40°C-125°C

IP Protection: IP53

Interface :

DC 12V 1A in 5.5/2.1;

UART (USB mini);

Temperature sensor window;

Alarm LED;

On-board buttons: Menu +/-;

Celsius/Fahrenheit Switch;

Proximity Sensor window x2;

Base Mounting: M4x8 depth

General Information:

Case Material: Metallic Casing (Unibody CNC)

Case Color: Black, Steel-Grey (custom color on project only);

Dimension 110x95x31.9mm

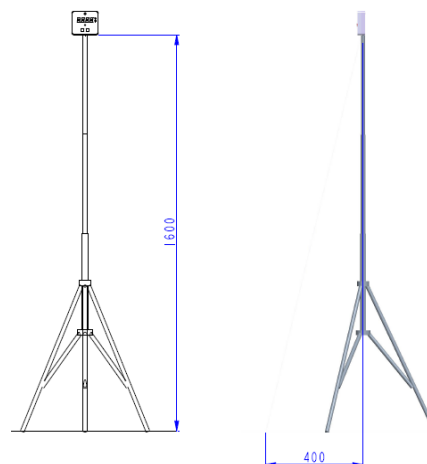
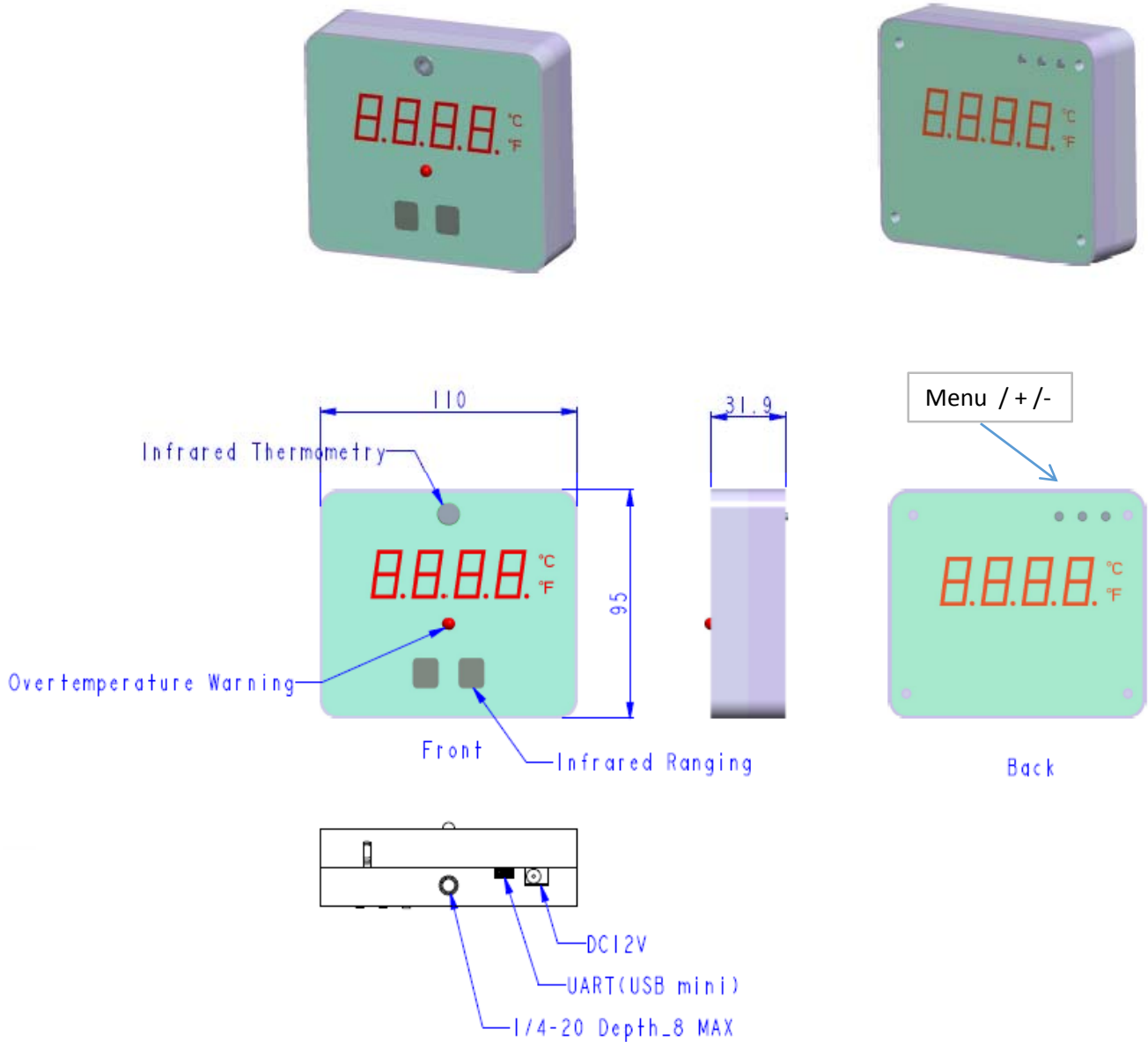
Net Weight:542g

- > Commercial Tablet
- > Boxed Media Player
- > OpenFrame & All-in-One 1080P Player
- Point-of-Sale • Industrial • Commercial

Contactless Temperature Screening Detector

Medical Grade Infrared Thermal Detection, Proximity Sensing, Local Alarm, Guide Light

Mechanical Drawing



Ordering Options:

Unit: Contactless Temperature Detector
 AC Adatper: 12V /1A
 Floor Standing Mounts(Pole):Optional;
 Tabletop / Wallmount: Optional;