

## 8.1-inch Type C HMI Screen Stretched

8.1 inch IPS 1600x480 high resolution screen, optional with 19-pin USB 3.0 or Dual Type A USB 3.0 Input



### Highlighted Features

This type C /USB 3.0 monitor solution is designed to work as an HMI terminal for industrial machines where type C, USB 3.0 ports are in place. It supports any screen that features LVDS interface, power and data in a single cable for small sized screens, and extra DC power is required for larger screen bigger than 15.6-inch.

CM0801 is an HMI screen completely designed for industrial use where **running 7/24/365** is crucial. With integrated hardware and software for commercial and industrial use, We have added the scalability with both 19-pin USB 3.0 socket, as well as dual Type A USB 3.0 for source input.

The typical application scenario is to display the human-machine interface(HMI) metrics via connecting a person to a machine, system, or device; The data could be sent over type-C with the latest architecture other than Uart, thus to simplify the design and development process.

### Tech Spec

- ▶ LCD Panel Spec: Digital TFT-LCD With LED Backlight
- ▶ Panel Size: 8.1-inch ;
- ▶ Resolution (pixels): 1600x480 (IPS panel) ;
- ▶ Aspect Ratio (W:L): 8:3 ;
- ▶ Brightness: 300 CD/m<sup>2</sup>;
- ▶ Contrast Ratio: 1000:1 ;
- ▶ Viewing Angle: U80/D80/L80/R80;
- ▶ Interface: DC-in 12V, On-Off Switch; USB Type C input;
- ▶ Built-in Speakers :2W \* 2 Stereo Speakers(optional)
- ▶ AC Power Adapter: AC in 100-240V; DC Out 12V 1.0A;
- ▶ Unit Size: 212x87x25.4mm;
- ▶ Body Materials: ABS (Metallic is available via project )
- ▶ Touchscreen: Optional ;
- ▶ Cable Solutions: 19-pin USB 3.0 To Type C; Dual Type A USB 3.0 to Type C; Type C to Type C;

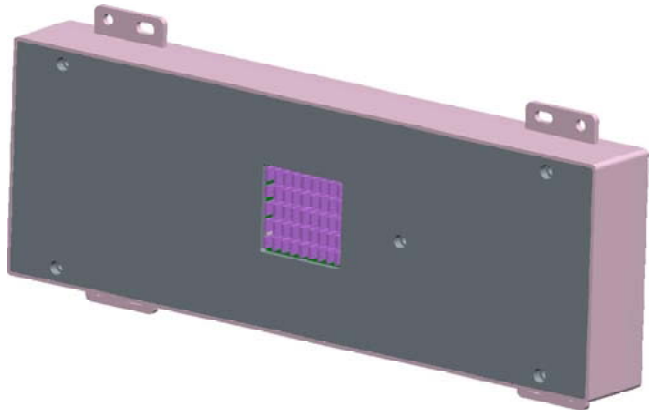
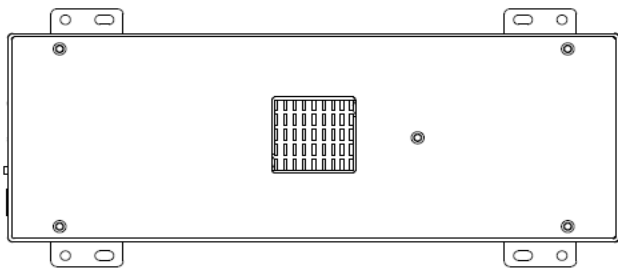
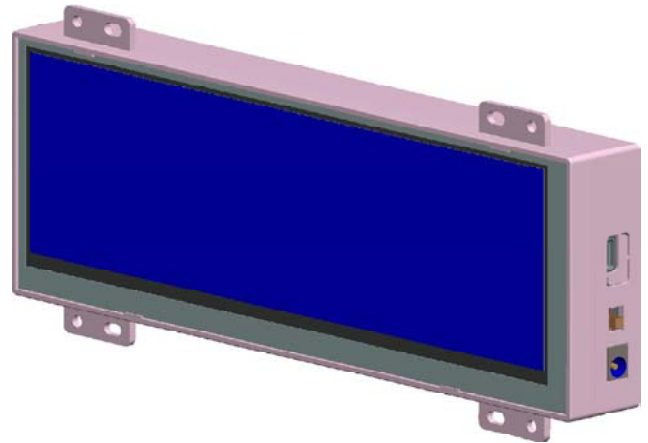
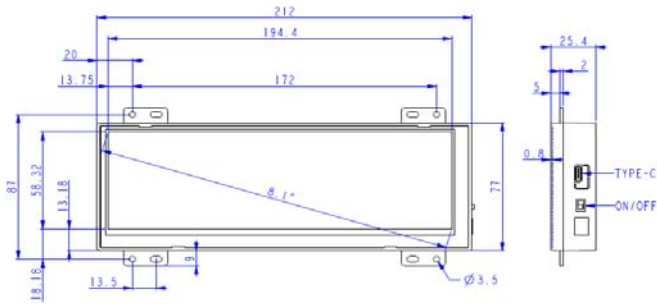
- > Commercial Tablet
- > Boxed Media Player
- > OpenFrame & All-in-One 1080P Player

• Point-of-Sale • Industrial • Commercial

## 8.1-inch Type C HMI Screen Stretched

8.1 inch IPS 1600x480 high resolution screen, optional with 19-pin USB 3.0 or Dual Type A USB 3.0 Input

### Gallery & Mechanical Drawings



### Ordering Options:

**Unit Console:** 8.1-inch IPS Type C monitor  
**AC Adatper:** 12V /1A (Optional)