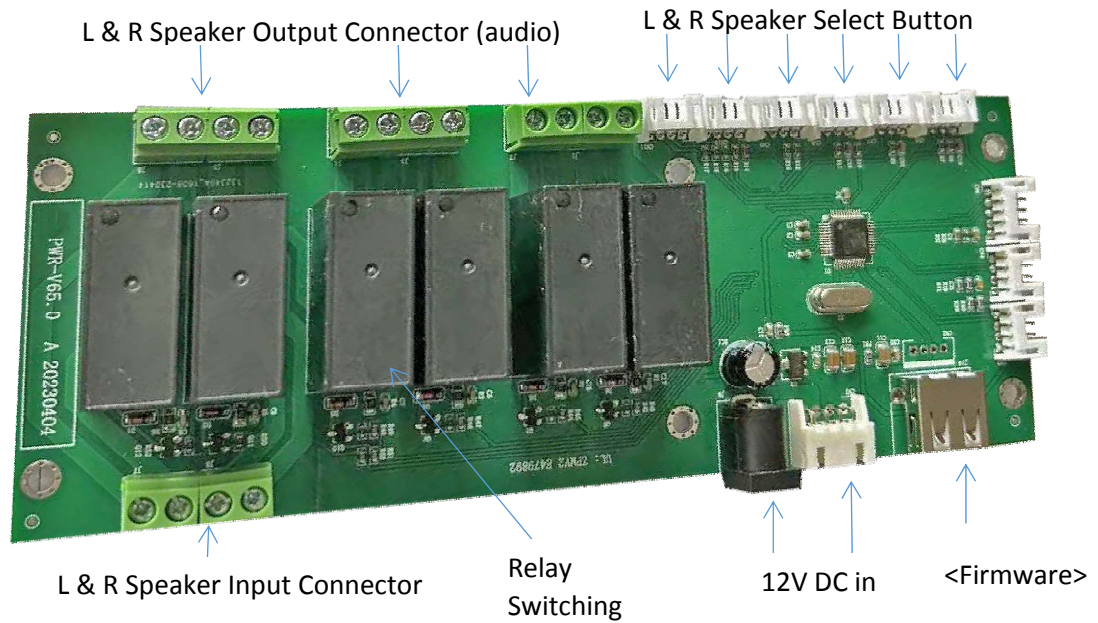


# Powered Speaker Switch

- Features
- Up to 3 positions/ speakers switch
  - Compact design with easy installation
  - Works in Mono or Stereo
  - Left & Right Audio Signals Separated with terminals
  - Extra features available via customization
  - Firmware update via USB

## Product Picture & I/O



## Tech Spec

Board Size: 65x170mm  
Push Button Interface: Molex 2.54mm  
Audio In/ Out Interface: Terminals.  
Max Wire Size: 3mm;  
Power handling: 60 watts Max. per channel into 4ohms, 30 watts default.  
Power requirement(s): 12V DC

## Description

A20S3 makes speakers demonstration easy, it supports up to 3 speakers switching via push button control, as powered speaker naturally generates a “click” after power is connected, A20S3 employs 3 pairs of relays to exclude the beginning “click”, and delivers the enhanced user experience.  
It works both mono and stereo modes with separated left and right audio signal terminals for flexible connection.