

D

D

C

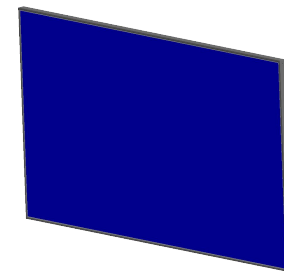
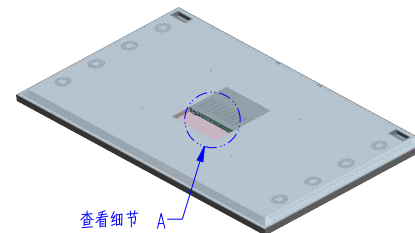
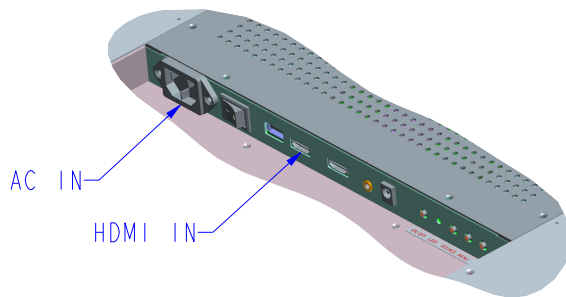
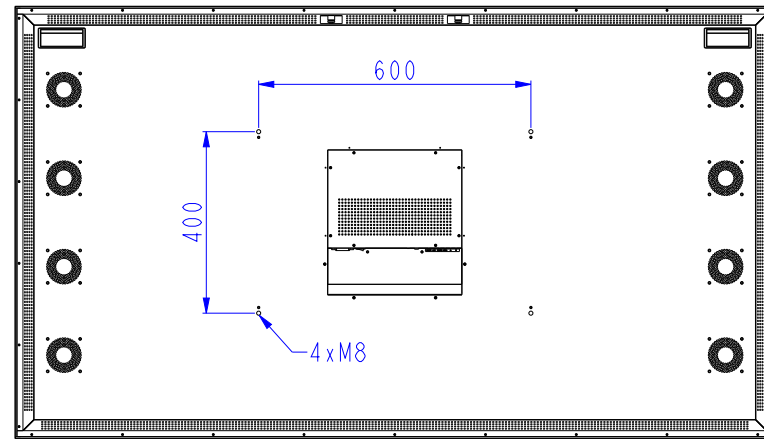
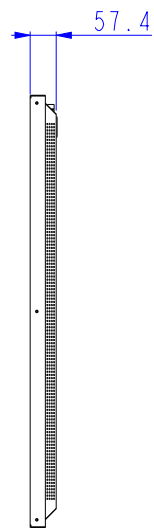
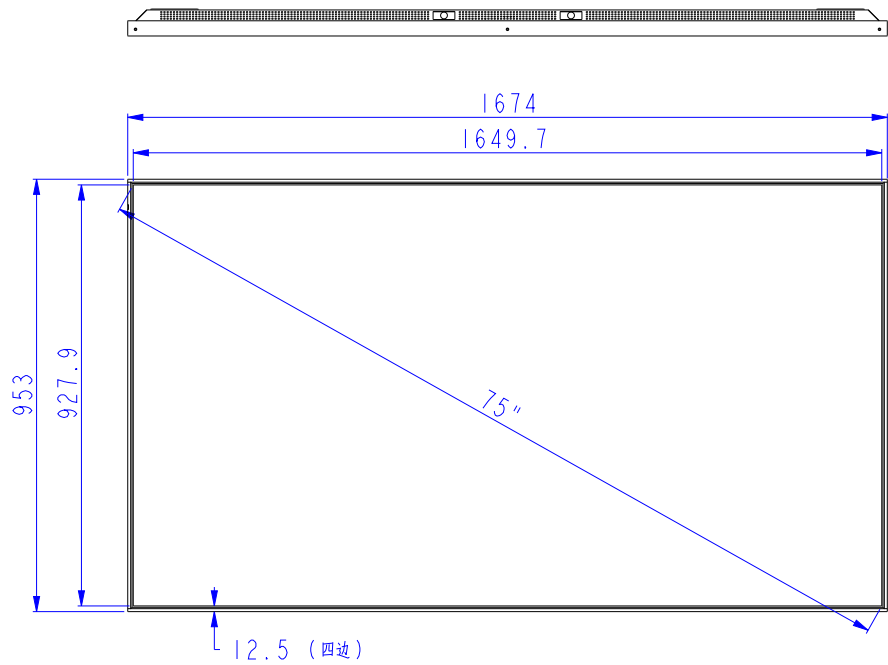
C

B

B

A

A



细节 A
比例 1:4

NO.	NEW	张建	2025-03-11
	DESCRIPTION	NAME	DATE

GENERAL TOLERANCE				UNITS:	SCALE:	THIRD ANGLE
ANGLE: 0.5° DECIMAL: ±				mm	1:1	
>0-10	0.05	0.10	0.20	TITLE:	MODEL:	DRAWING NO.
>10-200	0.10	0.20	0.40	DRAWN:	CHECKED:	APPROVAL:
>200	0.20	0.40	0.80	SHEET: 1 OF 1	张建	