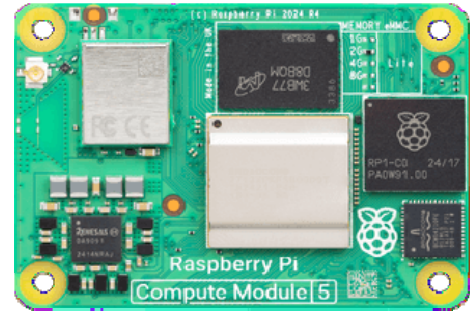


Linux Touch Panel With Raspberry Pi Compute Module 5

Leverage Raspberry Pi 5's powerful hardware & efficient software stack in YOUR own system



Compute Module 5 is a powerful and scalable system on module with a 64-bit Arm processor @ 2.4GHz, an I/O controller, video and PCIe interfaces, and a range of wireless, SDRAM and eMMC options. Developers can leverage its efficient software stack in their own embedded systems, with our I/O extension board and expertise in LCD screen & touch panel, they can quickly have their ready to ship smart hardware, manageable, scalable and fully under their own control.

> Industrial Application Friendly, support wide temperature working conditions: -20°C to +85°C;

> Efficient Raspberry Pi software Stack & community ecosystem resources.

> Flexibility in I/O extension with wide range hardware options for different projects;

Video Codec & Playable Formats

4Kp60 HEVC decoder
OpenGL ES 3.1 graphics, Vulkan 1.2
1 × SDIO 2.0 (CM5 Lite)

MPEG-1 Video
MPEG-2 Video MP@HL
MPEG-4 Video DVIX
H.264;
H.265 /Hvc

LCD Panel Information

Screen size : 10.1" (Diagonal)
Active area : 216.96(H) x 135.6(V)
Max. Resolution : 1280 (H) x 800 (V)
Brightness : 350 cd/m²
Contrast ratio : 1000 : 1
Viewing angle : 89/89/89/89(L/R/U/D)
Aspect Ratio: 16:10

O/S

Raspberry Pi OS;
Ubuntu;

Wireless connectivity

2.4 GHz, 5.0 GHz IEEE 802.11 b/g/n/ac wireless
Bluetooth 5.0, BLE

Storage

On-board Nand flash and Micro SD Card

Processor & Configuration

Processor: Broadcom BCM2712 quad-core 64-bit Arm Cortex-A76 (ArmV8) SoC @ 2.4GHz;

Memory Options: 2GB, 4GB, 8GB, or 16GB LPDDR4-4267 SDRAM with ECC; 0GB, 16GB, 32GB or 64GB eMMC flash

Interface

>2x USB 2.0 ;
>Phoenix GPIO (4-pin bi-directional terminal block) ;
>Micro SD Card Slot x1 ;
>HDMI Out 2.0 x1;
>USB 3.0 Type-C x1 ;
>Ethernet 1000M /100M RJ45x1 ;
>DC 5.5/2.1 12V Power In ;
>Optional: Power over Ethernet
> Reset button x1;

Audio

>2x Stereo 3W Internal Speakers
>3.5mm Audio Out (Analog and Digital)

Working Conditions

Operating Temperature: -20°C to +85°C
Relative Humidity : 5% - 95% (Non-Condensing)

MTBF Ground Benign:143 000 hours

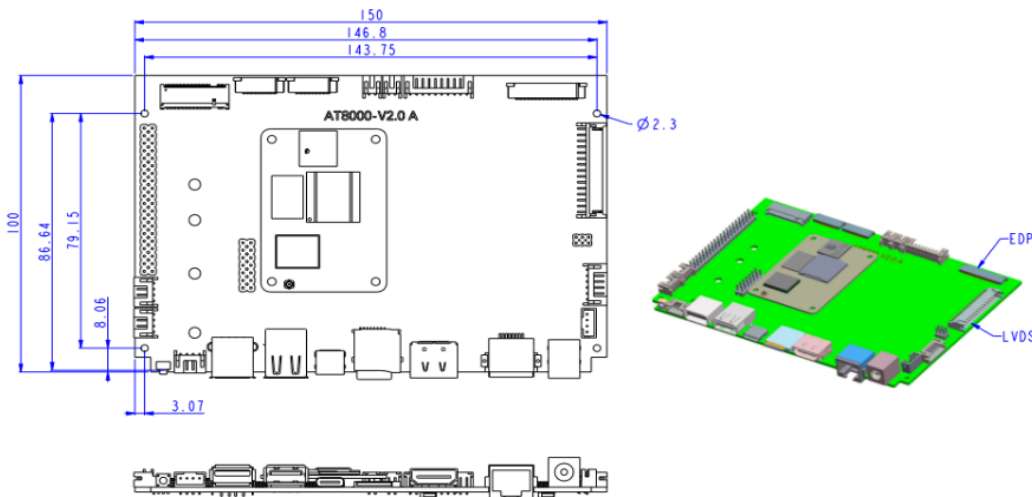
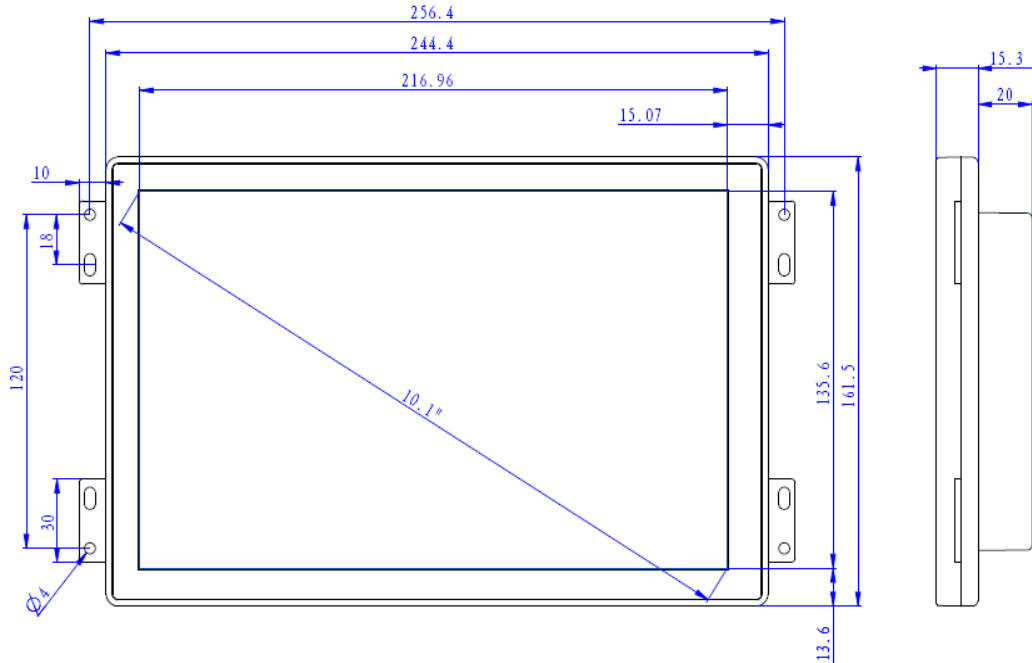
Shipping Info

W x D x H : 260x180x38.4mm
Weight: 0.8Kgs / HS code :85219090

Linux Touch Panel With Raspberry Pi Compute Module 5

Leverage Raspberry Pi 5's powerful hardware & efficient software stack in YOUR own system

Mechanical Drawings



Ordering Options:

Player Console: Linux Touch Panel
 AC Adatper: 12V /1A